

# GENERAL PURPOSE AC MOTORS

## 56C FLANGE, THREE-PHASE FRACTIONAL AND INTEGRAL HP



Wide Range  
of Motors  
Sizes!



OMAT13-18-56CB,  
£62, shown smaller  
than actual size.

- Rolled Steel 56C Frame Motors: 0.33 to 2 HP
- 208 to 230/460 Volt
- Three-Phase
- Class F Insulation
- Premium-Grade Quality

Omegamation™ general purpose AC motors are made by one of the leading motor manufacturers for over 45 years, a world-class accredited supplier with a long history of quality testing procedures and standards performed by the finest independent testing laboratories in the world. Our motors are made in high quality ISO9001-certified facilities using only the highest quality material and manufacturing processes. All motors are electrically tested in sub-assembly production and again after final assembly, and come with a 2-year warranty.



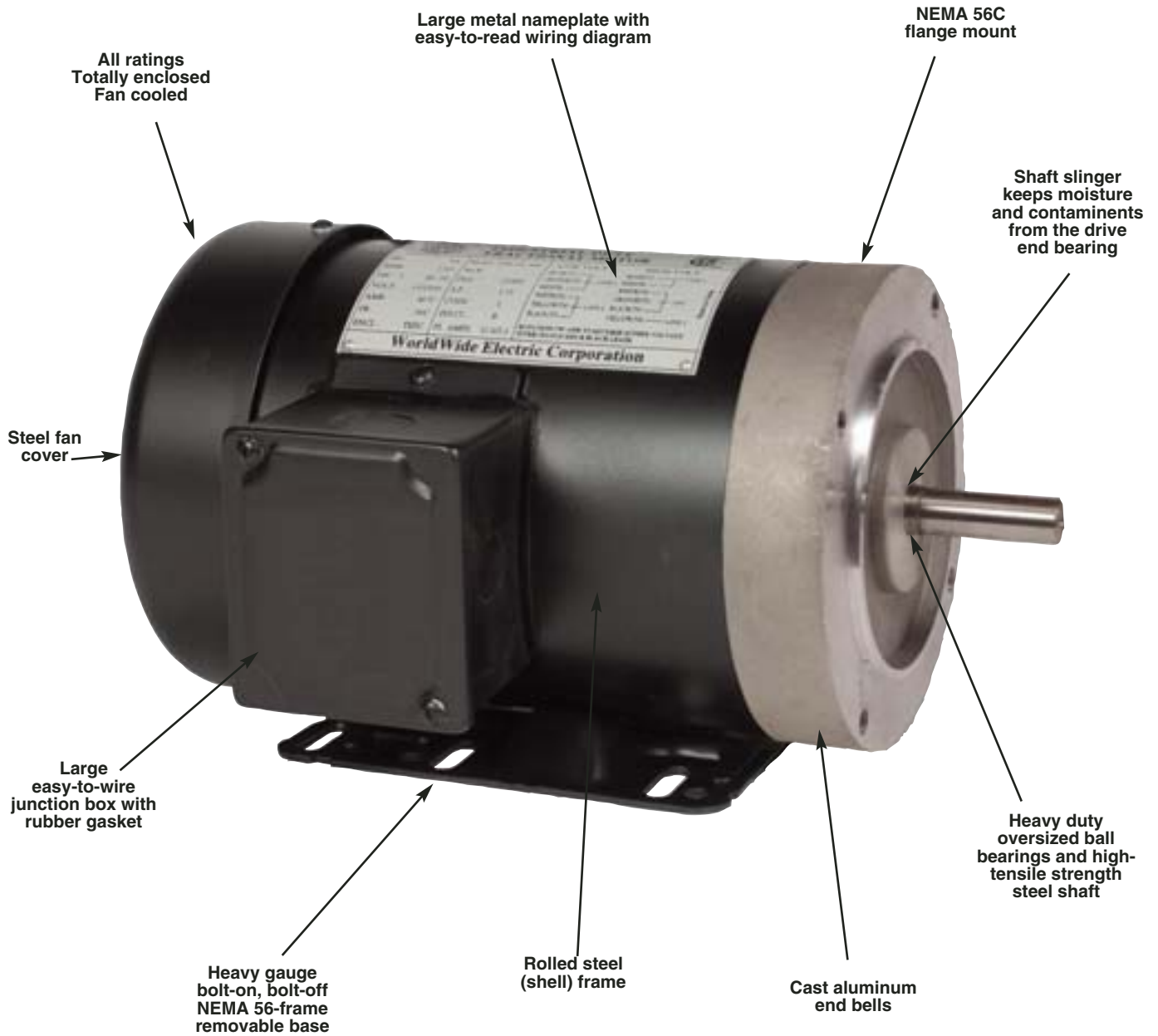
OMAT1-18-56CB,  
£79, shown smaller  
than actual size.



# 56C FLANGE MOTORS

## THREE PHASE—208 TO 230/460 VOLT

### INVERTER DUTY WITH CLASS “F” INSULATION

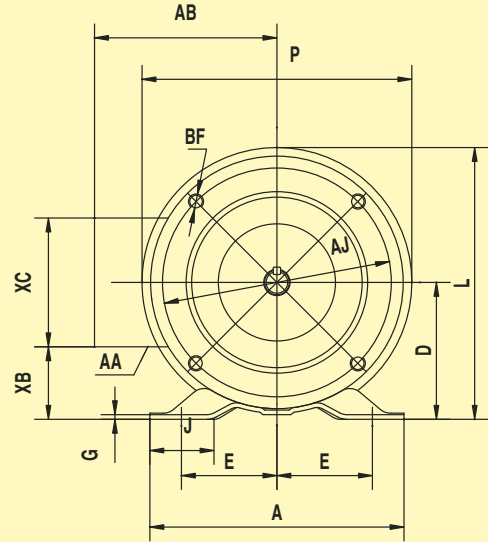
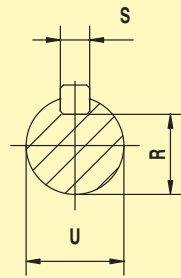
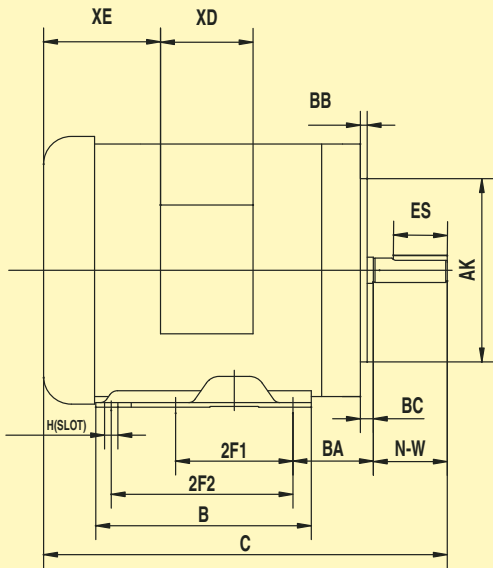


OMAT1-18-56CB, \$118, shown smaller than actual size.

# 56C FRAME MOTORS—3 PHASE



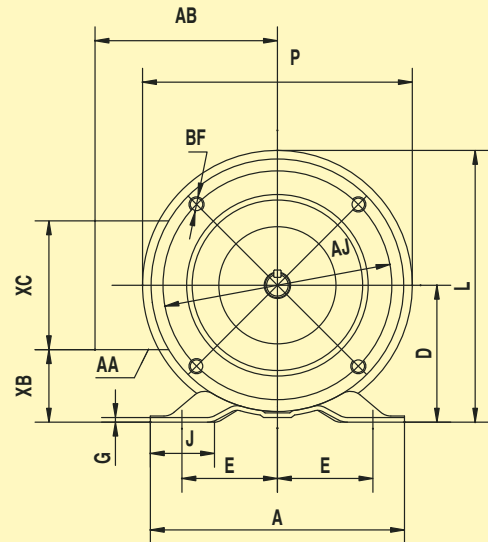
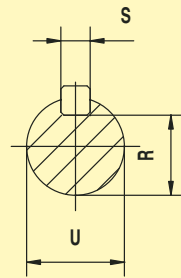
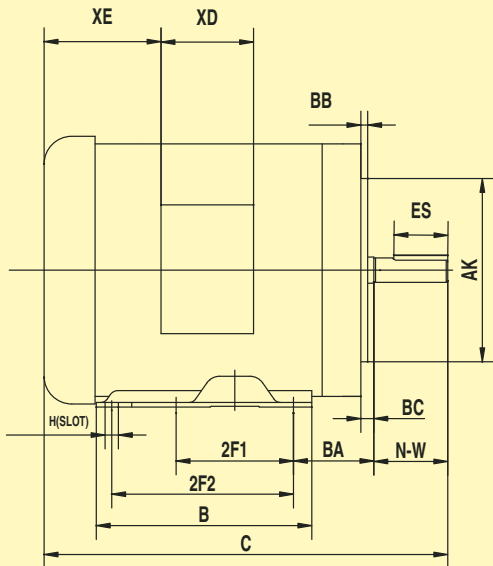
OMAT1-18-56CB



Dimensions: mm (in)

A	B	C	D	E	2F1	2F2	G	H	J	L	P	R	S	U
165 (6.5)	165 (6.5)	310 (12.2)	89 (3.5)	62 (2.44)	76 (3)	127 (5)	3 (0.12)	9 (0.34)	44 (1.73)	178 (7)	175 (6.9)	13 (0.517)	5 (0.188)	16 (0.625)
ES	AA	AB	AH	AJ	AK	BA	BB	BC	BF	XB	XC	XD	XE	
36 (1.41)	1/2" NPT	136 (5.35)	49 (1.91)	149 (5.875)	114 (4.5)	70 (2.75)	4 (0.16)	5 (0.19)	3/8-16	42 (1.65)	94 (3.7)	82 (3.23)	72 (2.85)	

OMAT1.5-18-56CB

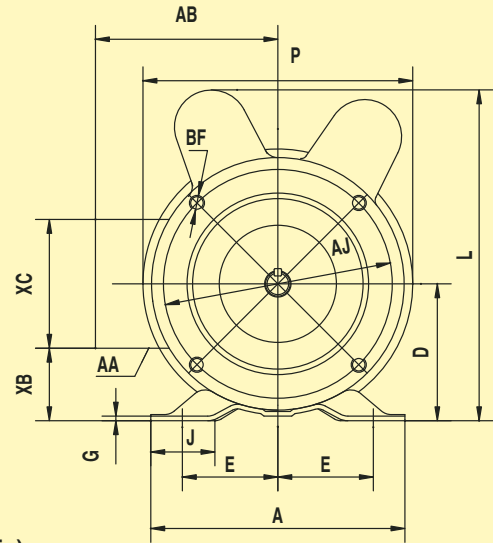
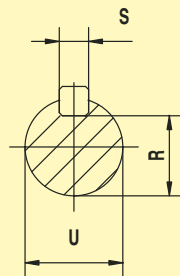
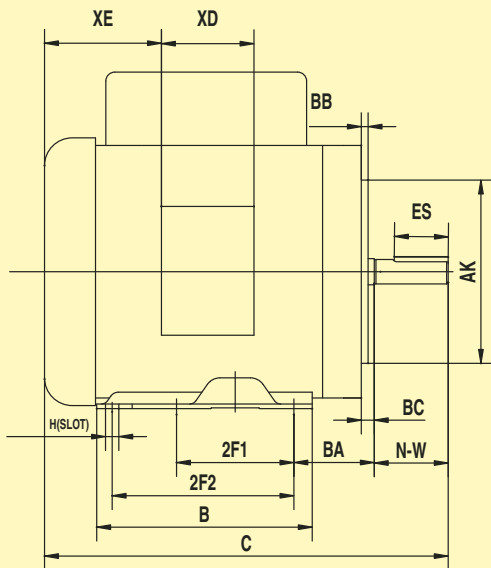


Dimensions: mm (in)

A	B	C	D	E	2F1	2F2	G	H	J	L	P	R	S	U
165 (6.5)	165 (6.5)	320 (12.6)	89 (3.5)	62 (2.44)	76 (3)	127 (5)	3 (0.12)	9 (0.34)	44 (1.73)	178 (7)	175 (6.9)	13 (0.517)	5 (0.188)	16 (0.625)
ES	AA	AB	AH	AJ	AK	BA	BB	BC	BF	XB	XC	XD	XE	
36 (1.41)	1/2" NPT	136 (5.35)	49 (1.91)	149 (5.875)	114 (4.5)	70 (2.75)	4 (0.16)	5 (0.19)	3/8-16	42 (1.65)	94 (3.7)	82 (3.23)	72 (2.85)	



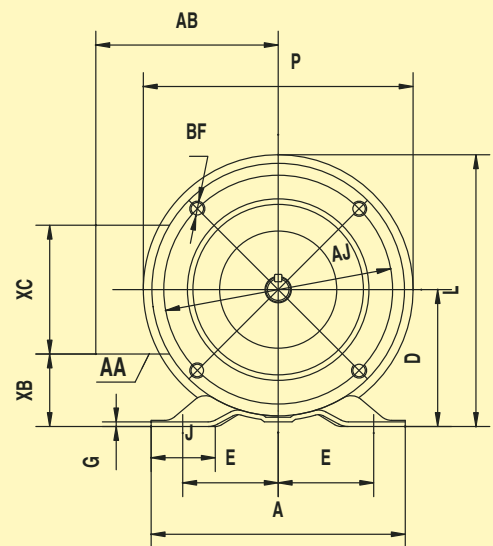
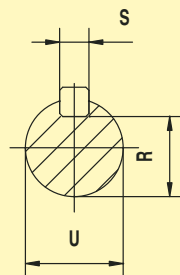
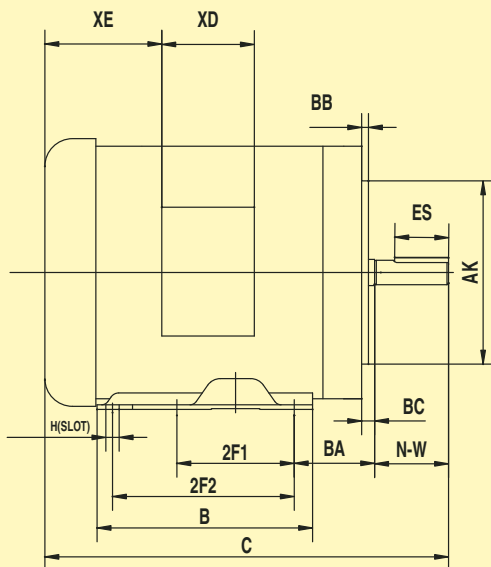
**OMAT2-18-56CB**



Dimensions: mm (in)

A	B	C	D	E	2F1	2F2	G	H	J	L	P	R	S	U
165 (6.5)	165 (6.5)	351 (13.8)	89 (3.5)	62 (2.44)	76 (3)	127 (5)	3 (0.12)	9 (0.34)	44 (1.73)	178 (8.5)	175 (6.9)	13 (0.517)	5 (0.188)	16 (0.625)
ES	AA	AB	AH	AJ	AK	BA	BB	BC	BF	XB	XC	XD	XE	
36 (1.41)	1/2" NPT	136 (5.35)	49 (1.91)	149 (5.875)	114 (4.5)	70 (2.75)	4 (0.16)	5 (0.19)	3/8-16	42 (1.65)	94 (3.7)	82 (3.23)	72 (2.85)	

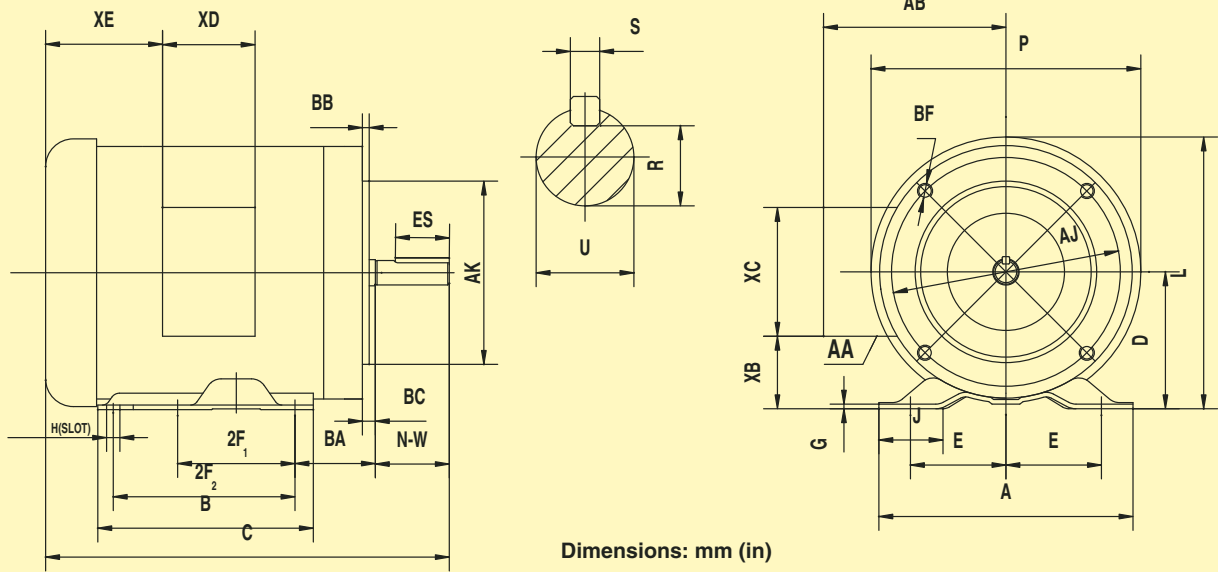
**OMAT12-18-56CB**



Dimensions: mm (in)

A	B	C	D	E	2F1	2F2	G	H	J	L	P	R	S	U
165 (6.5)	165 (6.5)	310 (12.4)	89 (3.5)	62 (2.44)	76 (3)	127 (5)	3 (0.12)	9 (0.34)	44 (1.73)	178 (7)	175 (6.9)	13 (0.517)	5 (0.188)	16 (0.625)
ES	AA	AB	AH	AJ	AK	BA	BB	BC	BF	XB	XC	XD	XE	
36 (1.41)	1/2" NPT	136 (5.35)	49 (1.91)	149 (5.875)	114 (4.5)	70 (2.75)	4 (0.16)	5 (0.19)	3/8-16	42 (1.65)	94 (3.7)	82 (3.23)	72 (2.85)	

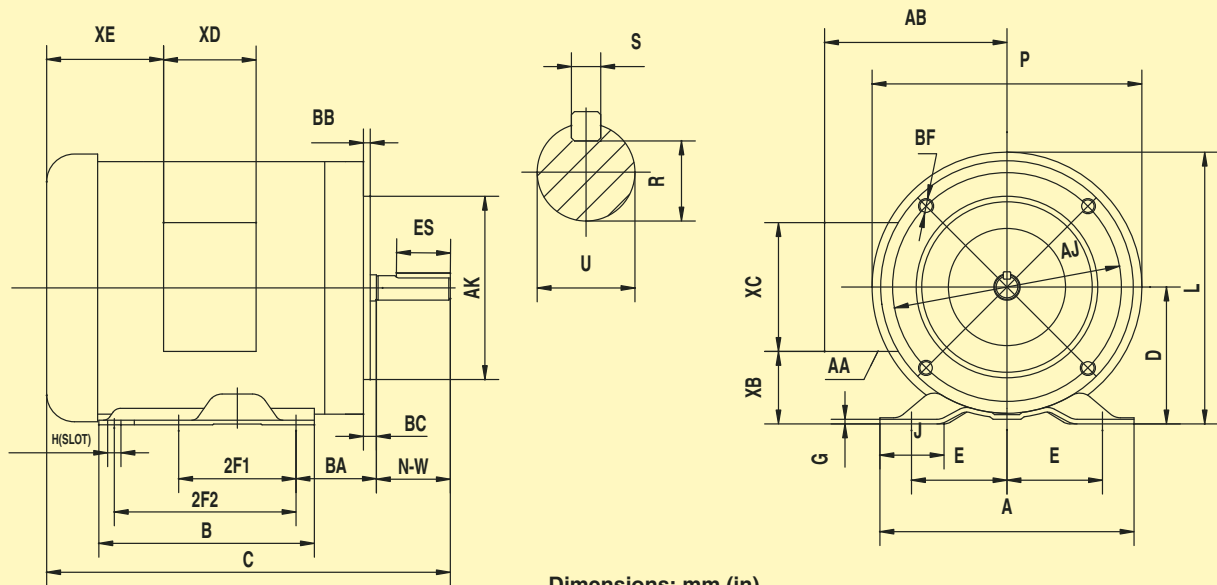
**OMAT13-18-56CB**



Dimensions: mm (in)

A	B	C	D	E	2F1	2F2	G	H	J	L	P	R	S	U
165 (6.5)	165 (6.5)	310 (12.2)	89 (3.5)	62 (2.44)	76 (3)	127 (5)	3 (0.12)	9 (0.34)	44 (1.73)	178 (7)	175 (6.9)	13 (0.517)	5 (0.188)	16 (0.625)
ES	AA	AB	AH	AJ	AK	BA	BB	BC	BF	XB	XC	XD	XE	
36 (1.41)	1/2" NPT	136 (5.35)	49 (1.91)	149 (5.875)	114 (4.5)	70 (2.75)	4 (0.16)	5 (0.19)	3/8-16	42 (1.65)	94 (3.7)	82 (3.23)	72 (2.85)	

**OMAT34-18-56CB**



Dimensions: mm (in)

A	B	C	D	E	2F1	2F2	G	H	J	L	P	R	S	U
165 (6.5)	165 (6.5)	310 (12.2)	89 (3.5)	62 (2.44)	76 (3)	127 (5)	3 (0.12)	9 (0.34)	44 (1.73)	178 (7)	175 (6.9)	13 (0.517)	5 (0.188)	16 (0.625)
ES	AA	AB	AH	AJ	AK	BA	BB	BC	BF	XB	XC	XD	XE	
36 (1.41)	1/2" NPT	136 (5.35)	49 (1.91)	149 (5.875)	114 (4.5)	70 (2.75)	4 (0.16)	5 (0.19)	3/8-16	42 (1.65)	94 (3.7)	82 (3.23)	72 (2.85)	



## 56C FRAME MOTORS—3 PHASE

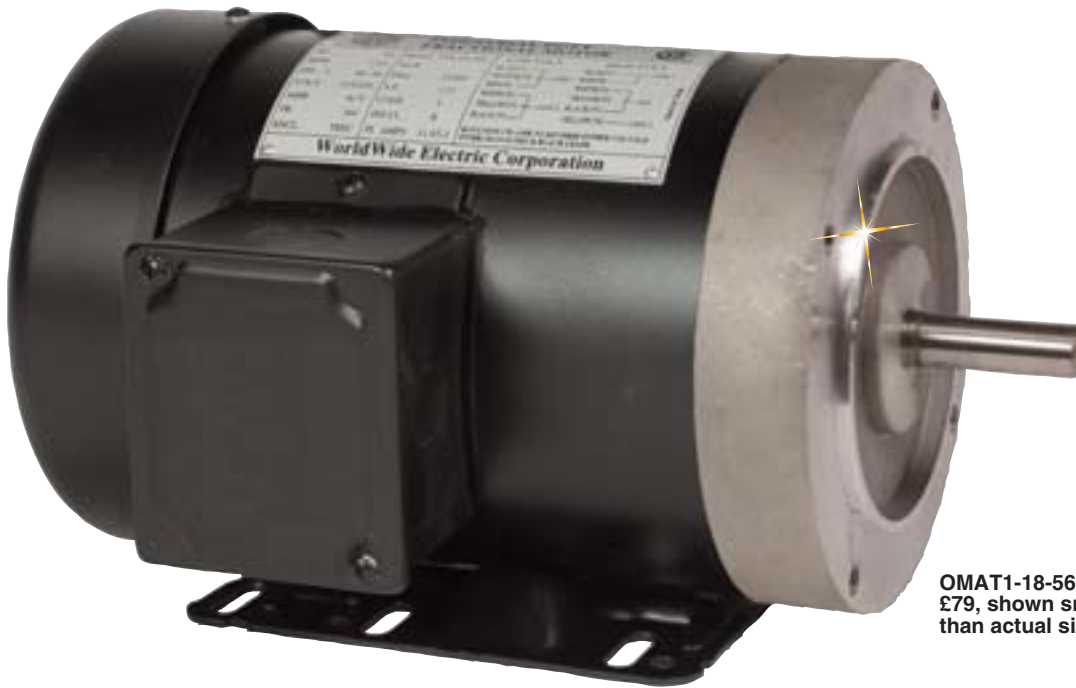
	OMAT13-18-56CB	OMAT12-18-56CB	OMAT34-18-56CB
HP	1/8	1/2	3/4
RPM/POLES	1800/4	1800/4	1800/4
VOLTAGE/PHASE	208 to 230/460V 3	208 to 230/460V 3	208 to 230/460V 3
FRAME	56C	56C	56C
FREQUENCY	60 HZ	60 HZ	60 HZ
RATED SPEED	1725 RPM	1725 RPM	1725 RPM
DUTY CYCLE	Continuous	Continuous	Continuous
SERVICE FACTOR	1.15	1.15	1.15
AMBIENT TEMP	40°C	40°C	40°C
ALTITUDE	3300' ASL	3300' ASL	3300' ASL
INSULATION CLASS	F	F	F
FULL LOAD AMPS	1.7 to 1.6/0.8 A	2.2 to 2.0/1.0 A	3.0 to 2.8/1.4 A
TEMP RISE @ FULL LOAD	80K at SF 1.15	80K at SF 1.15	100K at SF 1.15
OVERLOAD	None	None	None
DESIGN	B	B	B
RATED TORQUE	1.02 ft-lb	1.52 ft-lb	2.29 ft-lb
LOCKED ROTOR TORQUE	250%	250%	250%
BREAKDOWN TORQUE	275%	275%	275%
LOCKED ROTOR AMPS (STARTING)	8/4 A	12/6 A	18/9 A
SLIP	4.17%	4.17% at full load	4.17% at full load
NO LOAD CURRENT	0.60 A	0.69 A	0.78 A
BEARINGS	Ball	Ball	Ball
DE BEARING	6203-ZZ	6203-ZZ	6203-ZZ
ODE BEARING	6203-ZZ	6203-ZZ	6203-ZZ
ENCLOSURE	TEFC	TEFC	TEFC
MOUNTING	F-1	F-1	F-1
ROTATION	CW/CCW	CW/CCW	CW/CCW
MOMENT OF INERTIA (lb-ft <sup>2</sup> )	0.05794	0.06767	0.075
CONNECTION DIAGRAM	208 to 230/460V—9 leads	208 to 230/460V—9 leads	208 to 230/460V—9 leads
TYPE WIRING	Loose wire	Loose wire	Loose wire
WIRE/HOUSING	Junction box	Junction box	Junction box
SHAFT	Keyed	Keyed	Keyed
CAPACITOR(S)	None	None	None
CAPACITOR SIZE	N/A	N/A	N/A
CAPACITOR INFO	N/A	N/A	N/A
BASE/TYPE	Rigid removable	Rigid removable	Rigid removable
PAINT COLOR	Black	Black	Black
APPROX WEIGHT	23 lb	23 lb	25 lb
POWER FACTOR	0.7	0.72	0.74
EFFICIENCY (%)	67.0 at full load	69.0 at full load	71.0 at full load



OMAT1-18-56CB	OMAT1.5-18-56CB	OMAT2-18-56CB
1	1.5	2
1800/4	1800/4	1800/4
208 to 230/460V 3	208 to 230/460V 3	208 to 230/460V 3
56C	56C	56C
60 HZ	60 HZ	60 HZ
1725 RPM	1725 RPM	1725 RPM
Continuous	Continuous	Continuous
1.15	1.15	1.15
40°C	40°C	40°C
3300' ASL	3300' ASL	3300' ASL
F	F	F
4.0 to 3.8/1.8 A	5.0 to 4.8/2.3 A	6.4 to 6.2/3.0 A
100K at SF 1.15	110K at SF 1.15	110K at SF 1.15
None	None	None
B	B	B
3.02 ft-lb	4.57 ft-lb	6.09 ft-lb
250%	225%	225%
275%	250%	250%
24/12 A	36/18 A	48/24 A
4.17% at full load	4.17% at full load	4.17% at full load
0.96 A	1.32 A	1.93 A
Ball	Ball	Ball
6203-ZZ	6203-ZZ	6203-ZZ
6203-ZZ	6203-ZZ	6203-ZZ
TEFC	TEFC	TEFC
F-1	F-1	F-1
CW/CCW	CW/CCW	CW/CCW
0.08588	0.1079	0.1431
208 to 230/460V—9 leads	208 to 230/460V—9 leads	208 to 230/460V—9 leads
Loose wire	Loose wire	Loose wire
Junction box	Junction box	Junction box
Keyed	Keyed	Keyed
None	None	None
N/A	N/A	N/A
N/A	N/A	N/A
Rigid removable	Rigid removable	Rigid removable
Black	Black	Black
27 lb	30 lb	41 lb
0.76	0.78	0.8
73.0 at full load	75.0 at full load	77.0 at full load



OMAT13-18-56CB,  
£62, shown smaller  
than actual size.



OMAT1-18-56CB,  
£79, shown smaller  
than actual size.

**To Order** (Specify Model Number)

**MOST POPULAR MODELS HIGHLIGHTED!**

MODEL NO.	PRICE	DESCRIPTION
OMAT13-18-56CB	£62	56C flange rolled steel motor, 208-230/460 V, three-phase, 1/3 HP, 1800 RPM
OMAT12-18-56CB	65	56C flange rolled steel motor, 208-230/460 V, three-phase, 1/2 HP, 1800 RPM
OMAT34-18-56CB	71	56C flange rolled steel motor, 208-230/460 V, three-phase, 3/4 HP, 1800 RPM
OMAT1-18-56CB	79	56C flange rolled steel motor, 208-230/460 V, three-phase, 1 HP, 1800 RPM
OMAT1.5-18-56CB	96	56C flange rolled steel motor, 208-230/460 V, three-phase, 1.5 HP, 1800 RPM
OMAT2-18-56CB	114	56C flange rolled steel motor, 208-230/460 V, three-phase, 2 HP, 1800 RPM

Ordering Example: OMAT12-18-56CB, 56C flange rolled steel motor, 1/2 HP, 1800 RPM, \$97.

**ACCESSORY**

MODEL NO.	PRICE	DESCRIPTION
OMW56	£5.40	Motor slide base, 56 frame

Ordering Example: OMW56, motor slide base for 56 frame, £5.40.





#### UNITED STATES

[www.omega.com](http://www.omega.com)

1-800-TC-OMEGA

Stamford, CT.

#### CANADA

[www.omega.ca](http://www.omega.ca)

Laval(Quebec)

1-800-TC-OMEGA

#### GERMANY

[www.omega.de](http://www.omega.de)

Deckenpfronn, Germany

0800-8266342

#### UNITED KINGDOM

[www.omega.co.uk](http://www.omega.co.uk)

Manchester, England

0800-488-488

#### FRANCE

[www.omega.fr](http://www.omega.fr)

088-466-342

#### CZECH REPUBLIC

[www.omegaeng.cz](http://www.omegaeng.cz)

Karviná, Czech Republic

596-311-899

#### BENELUX

[www.omega.nl](http://www.omega.nl)

0800-099-33-44



## More than 100,000 Products Available!

### • Temperature

Calibrators, Connectors, General Test and Measurement Instruments, Handheld Instruments for Temperature Measurement, Ice Point References, Indicating Labels, Crayons, Cements and Lacquers, Infrared Temperature Measurement Instruments, Recorders, Relative Humidity Measurement Instruments, PT100 Probes, PT100 Elements, Temperature & Process Meters, Timers and Counters, Temperature and Process Controllers and Power Switching Devices, Thermistor Elements, Probes and Assemblies, Thermocouples, Thermowells and Head and Well Assemblies, Transmitters, Thermocouple Wire, RTD Probes

### • Flow and Level

Air Velocity Indicators, Doppler Flowmeters, Level Measurement, Magnetic Flowmeters, Mass Flowmeters, Pitot Tubes, Pumps, Rotameters, Turbine and Paddle Wheel Flowmeters, Ultrasonic Flowmeters, Valves, Variable Area Flowmeters, Vortex Shedding Flowmeters

### • pH and Conductivity

Conductivity Instrumentation, Dissolved Oxygen Instrumentation, Environmental Instrumentation, pH Electrodes and Instruments, Water and Soil Analysis Instrumentation

### • Data Acquisition

Auto-Dialers and Alarm Monitoring Systems, Communication Products and Converters, Data Acquisition and Analysis Software, Data Loggers Plug-in Cards, Signal Conditioners, USB, RS232, RS485 and Parallel Port Data Acquisition Systems, Wireless Transmitters and Receivers

### • Pressure, Strain and Force

Displacement Transducers, Dynamic Measurement Force Sensors, Instrumentation for Pressure and Strain Measurements, Load Cells, Pressure Gauges, Pressure Reference Section, Pressure Switches, Pressure Transducers, Proximity Transducers, Regulators, Pressure Transmitters, Strain Gauges, Torque Transducers, Valves

### • Heaters

Band Heaters, Cartridge Heaters, Circulation Heaters, Comfort Heaters, Controllers, Meters and Switching Devices, Flexible Heaters, General Test and Measurement Instruments, Heater Hook-up Wire, Heating Cable Systems, Immersion Heaters, Process Air and Duct, Heaters, Radiant Heaters, Strip Heaters, Tubular Heaters