

# PUSH-TO-CONNECT PNEUMATIC AIRLINE FITTINGS

## OM-AIR Series

- Ready to Use, Pre-Applied Sealant on Tapered Threads and O-rings on Parallel Threads
- Releasable Stainless Steel Grab-Ring to Grip Nylon or Polyurethane
- Nickel Plated Brass Components
- Internal and External Hexagons on Straight Fittings
- Quality Sealing Using Silicone Free U-Packing
- Mounting Holes on all Union Fittings
- Standard and Metric Sizes for Compressed Air
- Temperature Operating Range 0 to 60°C (32 to 140°F)
- Operating Pressure 1.6 mm Hg to 10 bar (29.5" Hg to 150 psi)

**Multiple Thread/Tube Selection Available, Std/Std, Metric/Std and Metric/Metric**

### SPECIFICATIONS

#### MATERIALS

**Body:** PBT

**Seals:** NBR (silicone free) u=packing and o-rings

**Threaded Bodies:** Nickel plated brass

**Release Sleeves and Backing Ring:** POM

**Grab-Ring:** Stainless steel

**Collar:** Nickel plated brass

**Thread Sealant:** Threebond 2350B

#### TUBE SIZES (OD)

**Standard Sizes:** 1/8, 5/32, 1/4 and 3/8"

**Metric Sizes:** 3, 4, 6 and 9.5 mm

#### THREAD SIZES

**Standard Size Fittings:**

10-32 UNF, 1/8" and 3/8" NPT, M5 and 1/2" ISO R

**Miniature Size Fittings:**

10-32 UNF, 1/8" NPT, M3, M5 and 1/2" ISO R

#### TUBE TYPES

**Nylon:** 11 or 12

**Polyurethane:** 85 or 95 durometer

Quickly connect  
air supply to and from valves  
& motion devices, flow control  
valves & check valves

OM-AIR-C24880210  
shown actual size.



OM-AIR-C24D30218  
shown actual size.



OM-AIR-COK510405  
shown larger than  
actual size.



OM-AIR-C20290200  
shown actual size.



Actual  
size.

OM-AIR-M22250105 shown  
larger than actual size.



OM-AIR-C20600200  
shown actual size.



OM-AIR-C20400400  
shown larger than  
actual size.



OM-AIR-C24670210  
shown actual size.



OM-AIR-T51P0006  
shown actual size.



## Method of Assembly



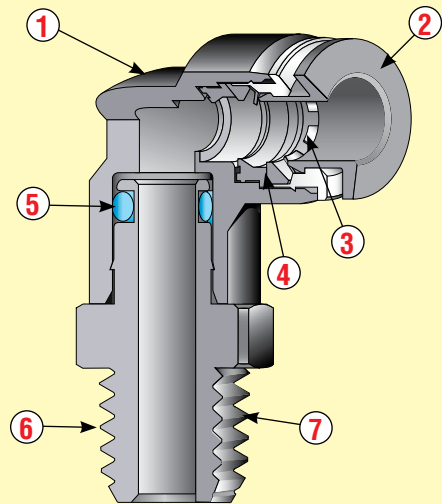
1. Ensure that the end tube is cut square and is free from burrs.

2. Push the tube through the release ring button and grab ring into the fitting.

3. Push the tube firmly through the 'O' ring until it bottoms on the tube stop, then pull back.

4. To disconnect, push the tube into the fitting, hold down the release button and withdraw the tube.

1. Impact Resistant PBT Body in Black for Pneufit® C and Light Gray for Pneufit® M.
2. Release Buttons are Red for Metric, Grey for Inch, and Light Grey Oval for Pneufit® M.
3. Stainless Steel Grab Ring with Special Design to Retain Softer Tube and Provide Easy Releasability.
4. Silicon Free U-Packing Provides Leak Tight Tube Seal Under Side Loading.
5. Stem Seal Provides Leak Tight 360° Swivel Connection.
6. Nickel Plated Brass Threads and Notches on Hex to Signify NPT.
7. Pre-Applied Thread Sealant on Tapered Threads and Recessed Captive O-Ring on Parallel Threads.



Shown larger than actual size.

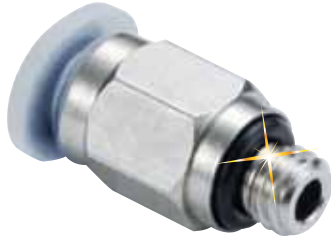


## To Order Visit [omega.com/om-air](http://omega.com/om-air) for Pricing and Details

MODEL NO.	THREAD	TUBE OD
OM-AIR-C24250210-5PK	10-32 UNF	5/32", 4 mm
OM-AIR-C24250410-5PK	10-32 UNF	1/4"
OM-AIR-C24250218-5PK	1/8 NPT	5/32", 4 mm
OM-AIR-C24250418-5PK	1/8 NPT	1/4"
OM-AIR-C24250618-5PK	1/8 NPT	3/8"
OM-AIR-C24250228-5PK	1/4 NPT	5/32", 4 mm
OM-AIR-C24250428-5PK	1/4 NPT	1/4"
OM-AIR-C24250628-5PK	1/4 NPT	3/8"
OM-AIR-C24250238-5PK	3/8 NPT	5/32", 4 mm
OM-AIR-C24250438-5PK	3/8 NPT	1/4"
OM-AIR-C24250638-5PK	3/8 NPT	3/8"
OM-AIR-C24250648-5PK	1/2 NPT	3/8"
OM-AIR-C02250405-5PK	M5	5/32", 4 mm
OM-AIR-C02250605-5PK	M5	6 mm
OM-AIR-C01250428-5PK	R1/4	5/32", 4 mm
OM-AIR-C01250628-5PK	R1/4	6 mm
OM-AIR-C01250828-5PK	R1/4	8 mm
OM-AIR-C21250428-5PK	R1/4	1/4"
OM-AIR-C21250628-5PK	R1/4	3/8"
OM-AIR-C01250418-5PK	R1/8	5/32", 4 mm
OM-AIR-C01250618-5PK	R1/8	6 mm
OM-AIR-C21250418-5PK	R1/8	1/4"
OM-AIR-C01250848-5PK	R1/2	8 mm

Ordering Example: OM-AIR-C24250210-5PK, male straight adaptor with internal and external hex with 10-32 NCF threads for use with 4 mm or 5/32" tubing, package of 5.

All models shown larger than actual size.



**To Order** Visit [omega.com/om-air](http://omega.com/om-air) for Pricing and Details

MINIATURE MALE STRAIGHT ADAPTOR (INTERNAL AND EXTERNAL HEX)		
MODEL NO.	THREAD	TUBE OD
OM-AIR-M22250103-5PK	M3	1/8"
OM-AIR-M02250403-5PK	M3	5/32", 4 mm
OM-AIR-M02250303-5PK	M3	3 mm
OM-AIR-M02250306-5PK	M5	3 mm
OM-AIR-M02250405-5PK	M5	5/32", 4 mm
OM-AIR-M22250105-5PK	M5	1/8"
OM-AIR-M24250110-5PK	10-32 UNF	1/8"
OM-AIR-M24250210-5PK	10-32 UNF	5/32", 4 mm
MALE STRAIGHT ADAPTOR (INTERNAL HEX)		
OM-AIR-C242A0210-5PK	10-32 UNF	5/32", 4 mm
OM-AIR-C242A0410-5PK	10-32 UNF	1/4"
OM-AIR-C242A0218-5PK	1/8 NPT	5/32", 4 mm
OM-AIR-C242A0418-5PK	1/8 NPT	1/4"
OM-AIR-C242A0618-5PK	1/8 NPT	3/8"
OM-AIR-C022A0405-5PK	M5	5/32", 4 mm
OM-AIR-C022A0605-5PK	M5	6 mm
OM-AIR-M222A0405-5PK	M5	1/4"
OM-AIR-C012A0418-5PK	R1/8	5/32", 4 mm
OM-AIR-C012A0618-5PK	R1/8	6 mm
OM-AIR-C212A0418-5PK	R1/8	1/4"
MINIATURE MALE STRAIGHT ADAPTOR (INTERNAL HEX)		
OM-AIR-M242A0110-5PK	10-32 UNF	1/8"
OM-AIR-M242A0210-5PK	10-32 UNF	5/32"
OM-AIR-M222A0103-5PK	M3	1/8"
OM-AIR-M022A0303-5PK	M3	3 mm
OM-AIR-M022A0403-5PK	M3	4 mm
OM-AIR-M022A0305-5PK	M5	3 mm
OM-AIR-M012A0418-5PK	R1/8	4 mm
FEMALE STRAIGHT ADAPTOR		
OM-AIR-C24260218-5PK	1/8 NPT	5/32", 4 mm
OM-AIR-C24260418-5PK	1/8 NPT	1/4"
OM-AIR-C24260228-5PK	1/4 NPT	5/32", 4 mm
OM-AIR-C24260428-5PK	1/4 NPT	1/4"
OM-AIR-C24260628-5PK	1/4 NPT	3/8"
OM-AIR-C24260438-5PK	3/8 NPT	1/4"
OM-AIR-C24260638-5PK	3/8 NPT	3/8"
OM-AIR-C24260648-5PK	1/2 NPT	3/8"
OM-AIR-C02260428-5PK	1/4 G	4 mm
OM-AIR-C02260628-5PK	1/4 G	6 mm
OM-AIR-C02260828-5PK	1/4 G	8 mm
OM-AIR-C21260428-5PK	1/4 G	1/4"
OM-AIR-C02260848-5PK	1/2 G	8 mm

**Ordering Example:** OM-AIR-C022A0405-5PK, male straight adaptor with internal hex, narrow diameter for confined areas, use hex wrench to install; M5 threads for use with either 4 mm or 5/32" tubing, package of 5.

All models shown larger than actual size.



**To Order** Visit [omega.com/om-air](http://omega.com/om-air) for Pricing and Details

**90° SWIVEL ELBOW EXTENDED**

MODEL NO.	THREAD	TUBE OD
OM-AIR-C24540210-5PK	10-32 UNF	5/32", 4 mm
OM-AIR-C24540410-5PK	10-32 UNF	1/4"
OM-AIR-C24540218-5PK	1/8 NPT	5/32", 4 mm
OM-AIR-C24540418-5PK	1/8 NPT	1/4"
OM-AIR-C24540228-5PK	1/4 NPT	5/32", 4 mm
OM-AIR-C24540428-5PK	1/4 NPT	1/4"
OM-AIR-C24540628-5PK	1/4 NPT	3/8"
OM-AIR-C24540438-5PK	3/8 NPT	1/4"
OM-AIR-C24540638-5PK	3/8 NPT	3/8"
OM-AIR-C24540648-5PK	1/2 NPT	3/8"
OM-AIR-C22540205-5PK	M5	5/32", 4 mm
OM-AIR-C22540405-5PK	M5	1/4"
OM-AIR-C02540605-5PK	M5	6 mm
OM-AIR-C01540418-5PK	R1/8	5/32", 4 mm
OM-AIR-C21540418-5PK	R1/8	1/4"
OM-AIR-C01540618-5PK	R1/8	6 mm
OM-AIR-C01540428-5PK	R1/4	5/32", 4 mm
OM-AIR-C21540428-5PK	R1/4	1/4"
OM-AIR-C01540628-5PK	R1/4	6 mm
OM-AIR-C01540828-5PK	R1/4	8 mm
OM-AIR-C01540848-5PK	R1/2	8 mm



**90° SWIVEL ELBOW**

OM-AIR-C24470210-5PK	10-32 UNF	5/32", 4 mm
OM-AIR-C24470410-5PK	10-32 UNF	1/4"
OM-AIR-C24470218-5PK	1/8 NPT	5/32", 4 mm
OM-AIR-C24470418-5PK	1/8 NPT	1/4"
OM-AIR-C24470228-5PK	1/4 NPT	5/32", 4 mm
OM-AIR-C24470428-5PK	1/4 NPT	1/4"
OM-AIR-C24470628-5PK	1/4 NPT	3/8"
OM-AIR-C24470438-5PK	3/8 NPT	1/4"
OM-AIR-C24470638-5PK	3/8 NPT	3/8"
OM-AIR-C24470648-5PK	1/2 NPT	3/8"
OM-AIR-C02470405-5PK	M5	5/32", 4 mm
OM-AIR-C02470605-5PK	M5	6 mm
OM-AIR-C01470418-5PK	R1/8	5/32", 4 mm
OM-AIR-C01470618-5PK	R1/8	6 mm
OM-AIR-C21470418-5PK	R1/8	1/4"
OM-AIR-C01470428-5PK	R1/4	5/32", 4 mm
OM-AIR-C01470628-5PK	R1/4	6 mm
OM-AIR-C01470828-5PK	R1/4	8 mm
OM-AIR-C21470428-5PK	R1/4	1/4"
OM-AIR-C21470628-5PK	R1/4	3/8"
OM-AIR-C01471048-5PK	R1/2	8 mm

Ordering Example: OM-AIR-C02470405-5PK, 90° swivel elbow with M5 threads for use with 4 mm or 5/32" tubing, package of 5.

All models shown larger than actual size.



**To Order** Visit [omega.com/om-air](http://omega.com/om-air) for Pricing and Details

**MINIATURE 90° SWIVEL ELBOW**

MODEL NO.	THREAD	TUBE OD
OM-AIR-M24470110-5PK	10-32 UNF	1/8"
OM-AIR-M24470210-5PK	10-32 UNF	5/32", 4 mm
OM-AIR-M02470303-5PK	M3	3 mm
OM-AIR-M02470403-5PK	M3	5/32", 4 mm
OM-AIR-M22470103-5PK	M3	1/8"
OM-AIR-M02470305-5PK	M5	3 mm
OM-AIR-M02470405-5PK	M5	5/32", 4 mm
OM-AIR-M22470105-5PK	M5	1/8"
OM-AIR-M22470405-5PK	M5	1/4"
OM-AIR-M01470418-5PK	R 1/8"	5/32", 4 mm



**90° SWIVEL ELBOW FEMALE**

OM-AIR-C24480410-5PK	10-32 UNF	1/4"
OM-AIR-C24480210-5PK	10-32 UNF	5/32", 4 mm
OM-AIR-C24480418-5PK	1/8 NPT	1/4"
OM-AIR-C24480218-5PK	1/8 NPT	5/32", 4 mm
OM-AIR-C24480428-5PK	1/4 NPT	1/4"
OM-AIR-C24480628-5PK	1/4 NPT	3/8"
OM-AIR-C24480228-5PK	1/4 NPT	5/32", 4 mm
OM-AIR-C24480438-5PK	3/8 NPT	1/4"
OM-AIR-C24480648-5PK	1/2 NPT	3/8"
OM-AIR-C02480405-5PK	M5	5/32", 4 mm
OM-AIR-C02480605-5PK	M5	6 mm
OM-AIR-C01480418-5PK	R 1/8"	5/32", 4 mm
OM-AIR-C01480618-5PK	R 1/8"	6 mm
OM-AIR-C01480818-5PK	R 1/8"	8 mm
OM-AIR-C01480428-5PK	R 1/4"	5/32", 4 mm
OM-AIR-C01480628-5PK	R 1/4"	6 mm
OM-AIR-C01480828-5PK	R 1/4"	8 mm



**SWIVEL SIDE TEE ADAPTOR**

OM-AIR-C24680210-5PK	10-32 UNF	5/32", 4 mm
OM-AIR-C24680410-5PK	10-32 UNF	1/4"
OM-AIR-C24680218-5PK	1/8 NPT	5/32", 4 mm
OM-AIR-C24680618-5PK	1/8 NPT	3/8"
OM-AIR-C24680228-5PK	1/4 NPT	5/32", 4 mm
OM-AIR-C24680428-5PK	1/4 NPT	1/4"
OM-AIR-C24680628-5PK	1/4 NPT	3/8"
OM-AIR-C24680648-5PK	1/2 NPT	3/8"
OM-AIR-C02680405-5PK	M5	5/32", 4 mm
OM-AIR-C02680605-5PK	M5	6 mm
OM-AIR-C01680418-5PK	R 1/8"	5/32", 4 mm
OM-AIR-C01680618-5PK	R 1/8"	6 mm
OM-AIR-C01680428-5PK	R 1/4"	5/32", 4 mm
OM-AIR-C01680628-5PK	R 1/4"	6 mm
OM-AIR-C01680828-5PK	R 1/4"	8 mm
OM-AIR-C21680428-5PK	R 1/4"	1/4"
OM-AIR-C01680848-5PK	R 1/2"	8 mm

Ordering Example: OM-AIR-M02470405-5PK, miniature 90° swivel elbow with a M5 thread for use with 5/32" or 4 mm tubing.

All models shown larger than actual size.



**To Order** Visit [omega.com/om-air](http://omega.com/om-air) for Pricing and Details

**SWIVEL TEE ADAPTOR**

MODEL NO.	THREAD	TUBE OD
OM-AIR-C24670210-5PK	10-32 UNF	5/32", 4 mm
OM-AIR-C24670218-5PK	1/8 NPT	5/32", 4 mm
OM-AIR-C24670228-5PK	1/4 NPT	5/32", 4 mm
OM-AIR-C24670428-5PK	1/4 NPT	1/4"
OM-AIR-C24670628-5PK	1/4 NPT	3/8"
OM-AIR-C24670648-5PK	1/2 NPT	3/8"
OM-AIR-C24670638-5PK	3/8 NPT	3/8"
OM-AIR-C02670405-5PK	M5	5/32", 4 mm
OM-AIR-C02670605-5PK	M5	6 mm
OM-AIR-C01670418-5PK	R1/8	5/32", 4 mm
OM-AIR-C01670618-5PK	R1/8	6 mm
OM-AIR-C01670428-5PK	R1/4	5/32", 4 mm
OM-AIR-C01670628-5PK	R1/4	6 mm
OM-AIR-C01670828-5PK	R1/4	8 mm
OM-AIR-C21670428-5PK	R1/4	1/4"
OM-AIR-C01670848-5PK	R1/2	8 mm



**SWIVEL Y ADAPTOR**

OM-AIR-C24880210-5PK	10-32 UNF	5/32", 4 mm
OM-AIR-C24880410-5PK	10-32 UNF	1/4"
OM-AIR-C24880218-5PK	1/8 NPT	5/32", 4 mm
OM-AIR-C24880418-5PK	1/8 NPT	1/4"
OM-AIR-C24880228-5PK	1/4 NPT	5/32", 4 mm
OM-AIR-C24880428-5PK	1/4 NPT	1/4"
OM-AIR-C24880628-5PK	1/4 NPT	3/8"
OM-AIR-C24880438-5PK	3/8 NPT	1/4"
OM-AIR-C24880638-5PK	3/8 NPT	3/8"
OM-AIR-C24880648-5PK	1/2 NPT	3/8"
OM-AIR-C02880405-5PK	M5	5/32", 4 mm
OM-AIR-C02880605-5PK	M5	6 mm
OM-AIR-C01880418-5PK	R1/8	5/32", 4 mm
OM-AIR-C01880618-5PK	R1/8	6 mm
OM-AIR-C21880415-5PK	R1/8	1/4"
OM-AIR-C01880428-5PK	R1/4	5/32", 4 mm
OM-AIR-C01880628-5PK	R1/4	6 mm
OM-AIR-C01880828-5PK	R1/4	8 mm
OM-AIR-C21880428-5PK	R1/4	1/4"
OM-AIR-C21880628-5PK	R1/4	3/8"
OM-AIR-C01880848-5PK	R1/2	8 mm



**FEMALE BULKHEAD**

OM-AIR-C24320218-5PK	1/8 NPT	5/32" OD
OM-AIR-C24320418-5PK	1/8 NPT	1/4"
OM-AIR-C24320328-5PK	1/4 NPT	3/16"
OM-AIR-C24320428-5PK	1/4 NPT	1/4"
OM-AIR-C24320628-5PK	1/4 NPT	3/8"
OM-AIR-C24320638-5PK	3/8 NPT	3/8"
OM-AIR-C02320428-5PK	1/4G	5/32", 4 mm
OM-AIR-C02320628-5PK	1/4G	6 mm
OM-AIR-C02320828-5PK	1/4G	8 mm



**BULKHEAD UNION**

OM-AIR-C20290200-5PK	—	5/32", 4 mm
OM-AIR-C20290400-5PK	—	1/4"
OM-AIR-C20290600-5PK	—	3/8"
OM-AIR-C20290300-5PK	—	6 mm

Ordering Example: OM-AIR-C24670428-5PK, swivel tee adaptor with 1/4 NPT threads for use with 1/4" tubing, package of 5.

All models shown larger than actual size.



**To Order** Visit [omega.com/om-air](http://omega.com/om-air) for Pricing and Details

**BANJO FLOW CONTROL (REGULATING OUT)**

MODEL NO.	THREAD	TUBE OD
OM-AIR-C2VA00110	10-32 UNF	1/8"
OM-AIR-C2VA00210	10-32 UNF	5/32", 4 mm
OM-AIR-C2VA00410	10-32 UNF	1/4"
OM-AIR-C2VA00218	1/8 NPT	5/32", 4 mm
OM-AIR-C2VA00418	1/8 NPT	1/4"
OM-AIR-C2VA00228	1/4 NPT	5/32", 4 mm
OM-AIR-C2VA00428	1/4 NPT	1/4"
OM-AIR-C2VA00638	1/4 NPT	3/8"
OM-AIR-C0K510405	M5	5/32", 4 mm
OM-AIR-C0K510605	M5	6 mm
OM-AIR-C2VA00405	M5	1/4"
OM-AIR-C0TA00418	R 1/8"	5/32", 4 mm
OM-AIR-C0TA00618	R 1/8"	6 mm
OM-AIR-C2TA00418	R 1/8"	1/4"
OM-AIR-C0TA00628	R 1/4"	6 mm
OM-AIR-C0TA00828	R 1/4"	8 mm



**BANJO FLOW CONTROL (REGULATING IN)**

OM-AIR-C2WA00110	10-32 UNF	1/8"
OM-AIR-C2WA00210	10-32 UNF	5/32", 4 mm
OM-AIR-C2WA00410	10-32 UNF	1/4"
OM-AIR-C2WA00218	1/8 NPT	5/32", 4 mm
OM-AIR-C2WA00418	1/8 NPT	1/4"
OM-AIR-C2WA00228	1/4 NPT	5/32", 4 mm
OM-AIR-C2WA00428	1/4 NPT	1/4"
OM-AIR-C2WA00628	1/4 NPT	3/8"
OM-AIR-C2WA00438	3/8 NPT	1/4"
OM-AIR-C2WA00638	3/8 NPT	3/8"
OM-AIR-C0L510405	M5	5/32", 4 mm
OM-AIR-C0L510605	M5	6 mm
OM-AIR-C2WA00405	M5	1/4"
OM-AIR-C0SA00418	R 1/8"	5/32", 4 mm
OM-AIR-C0SA00618	R 1/8"	6 mm
OM-AIR-C0SA00628	R 1/4"	6 mm
OM-AIR-C0SA00828	R 1/4"	8 mm
OM-AIR-C2TA00428	R 1/4"	1/4"



**IN-LINE FLOW CONTROL**

OM-AIR-C20GE0200	—	5/32", 4 mm
OM-AIR-C20GE0400	—	1/4"
OM-AIR-C20GE0600	—	3/8"
OM-AIR-C00GE0600	—	6 mm
OM-AIR-C00GE0800	—	8 mm

**Ordering Example:** OM-AIR-C2VA00210, banjo flow control valve (regulating out) used to control speed on cylinders, slides and grippers with 10-32 UNF threads that can be used on 4 mm or 5/32" tubing.

All models shown larger than actual size.



**To Order** Visit [omega.com/om-air](http://omega.com/om-air) for Pricing and Details

**STRAIGHT UNION (EQUAL)**

MODEL NO.	TUBE OD	TUBE OD
OM-AIR-M20200100-5PK	—	1/8"
OM-AIR-C20200200-5PK	—	5/32", 4 mm
OM-AIR-C20200400-5PK	—	1/4"
OM-AIR-C20200600-5PK	—	3/8"
OM-AIR-M00200300-5PK	—	3 mm
OM-AIR-C00200600-5PK	—	6 mm

**STRAIGHT UNION (UNEQUAL)**

OM-AIR-M20200201-5PK	1/8"	5/32", 4 mm
OM-AIR-C00200604-5PK	5/32", 4 mm	6 mm
OM-AIR-C20200402-5PK	5/32", 4 mm	1/4"
OM-AIR-C20200604-5PK	1/4"	3/8"
OM-AIR-C00200806-5PK	6 mm	8 mm

**UNION Y**

OM-AIR-C20820200-5PK	5/32", 4 mm	5/32", 4 mm
OM-AIR-C20820400-5PK	1/4"	1/4"
OM-AIR-C20820402-5PK	1/4"	5/32", 4 mm
OM-AIR-C20820600-5PK	3/8"	3/8"
OM-AIR-C20820604-5PK	3/8"	1/4"
OM-AIR-C00820604-5PK	6 mm	5/32", 4 mm
OM-AIR-C00840600-5PK	6 mm	6 mm
OM-AIR-C00820800-5PK	8 mm	8 mm
OM-AIR-C00820806-5PK	8 mm	6 mm

**UNION TEE**

OM-AIR-C006A0604-5PK	5/32", 4 mm	6 mm
OM-AIR-C20600200-5PK	5/32", 4 mm	5/32", 4 mm
OM-AIR-C206A0402-5PK	5/32", 4 mm	1/4"
OM-AIR-C20600400-5PK	1/4"	1/4"
OM-AIR-C206A0604-5PK	1/4"	3/8"
OM-AIR-C20600600-5PK	3/8"	3/8"
OM-AIR-C00600600-5PK	6 mm	6 mm
OM-AIR-C006A0806-5PK	6 mm	8 mm
OM-AIR-C00600800-5PK	8 mm	8 mm

**PLUG**

OM-AIR-C00040400-10PK	5/32", 4 mm
OM-AIR-C20040400-10PK	1/4"
OM-AIR-C20040600-10PK	3/8"
OM-AIR-C00040600-10PK	6 mm
OM-AIR-C00040800-10PK	8 mm

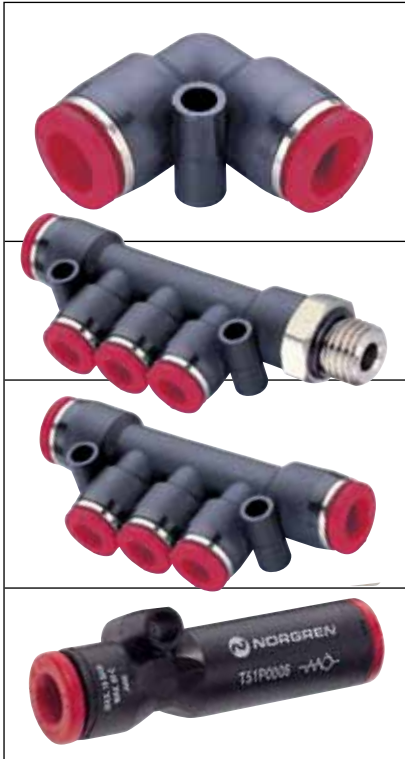
**STEM REDUCER**

OM-AIR-C00230804-5PK	5/32", 4 mm	8 mm
OM-AIR-C20230201-5PK	5/32", 4 mm	1/8"
OM-AIR-C20230402-5PK	1/4"	5/32", 4 mm
OM-AIR-C20230604-5PK	3/8"	1/4"
OM-AIR-C00230604-5PK	5/32", 4 mm	6 mm
OM-AIR-C00230806-5PK	6 mm	8 mm

Ordering Example: OM-AIR-C20820402-5PK, "Y" union converts one 1/4" tube supply air into two 5/32" feeds, package of 5.



**To Order** Visit [omega.com/om-air](http://omega.com/om-air) for Pricing and Details



<b>ELBOW UNION</b>			
MODEL NO.	TUBE OD	TUBE OD	
OM-AIR-C20400200-5PK	5/32", 4 mm		
OM-AIR-C00400600-5PK	6 mm		
OM-AIR-C20400400-5PK	1/4"		
OM-AIR-C20400600-5PK	3/8"		
OM-AIR-C00400800-5PK	8 mm		
<b>MANIFOLD ADAPTOR</b>			
OM-AIR-C01D30418	R1/8"	6 to 4 mm	
OM-AIR-C24D30218	1/8 NPT	1/4 to 5/32"	
OM-AIR-C24D30438	3/8 NPT	3/8 to 1/4"	
<b>MANIFOLD UNION</b>			
OM-AIR-C00D30604	5/32", 4 mm	6 mm	
OM-AIR-C20D30402	1/4"	5/32", 4 mm	
OM-AIR-C20D30604	3/8"	1/4"	
OM-AIR-C00D30804	5/32", 4 mm	8 mm	
OM-AIR-C00D30806	6 mm	8 mm	
<b>INLINE NON-RETURN VALVES</b>			
OM-AIR-T51P0004	5/32", 4 mm	5/32", 4 mm	
OM-AIR-T51P0006	6 mm	6 mm	
OM-AIR-T51Y0004	1/4"	1/4"	
OM-AIR-T51P0008	8 mm	8 mm	

Ordering Example: OM-AIR-T51P004, in-line non-return valve (check valve) for use on 4 mm or 5/32" tubing.

# AIR PREPARATION PRODUCTS FOR COMPRESSED AIR SYSTEMS

## IN-LINE OR MODULAR INSTALLATION FOR COMPLETE SYSTEM



Select components to build a complete air preparation modular unit.

Air Preparation Products for Compressed Air System. Filter/regulators, lubricators, oil removing filters, pressure relief valves and more. These models can be used as a single unit or as a complete modular air treatment system.

For complete selection visit [omega.com/air-prep](http://omega.com/air-prep)

# omega.co.uk<sup>®</sup>

Your One-Stop Source for Process Measurement and Control!

Freephone 0800 488 488 | International +44(0) 161 777 6622 | Fax +44(0) 161 777 6622 | Sales@omega.co.uk

[www.omega.co.uk](http://www.omega.co.uk)



#### UNITED STATES

[www.omega.com](http://www.omega.com)

1-800-TC-OMEGA  
Stamford, CT.

#### UNITED KINGDOM

[www.omega.co.uk](http://www.omega.co.uk)

Manchester, England  
0800-488-488  
+44-(0)161-777-6611

#### CANADA

[www.omega.ca](http://www.omega.ca)

Laval(Quebec)  
1-800-TC-OMEGA

#### FRANCE

[www.omega.fr](http://www.omega.fr)

0800-466-342

#### GERMANY

[www.omega.de](http://www.omega.de)

Deckenfronn, Germany  
0800-8266342

#### BENELUX

[www.omega.nl](http://www.omega.nl)

0800-099-33-44



## More than 100,000 Products Available!

### • Temperature

Calibrators, Connectors, General Test and Measurement Instruments, Handheld Instruments for Temperature Measurement, Ice Point References, Indicating Labels, Crayons, Cements and Lacquers, Infrared Temperature Measurement Instruments, Recorders, Relative Humidity Measurement Instruments, PT100 Probes, PT100 Elements, Temperature & Process Meters, Timers and Counters, Temperature and Process Controllers and Power Switching Devices, Thermistor Elements, Probes and Assemblies, Thermocouples, Thermowells and Head and Well Assemblies, Transmitters, Thermocouple Wire, RTD Probes

### • Flow and Level

Air Velocity Indicators, Doppler Flowmeters, Level Measurement, Magnetic Flowmeters, Mass Flowmeters, Pitot Tubes, Pumps, Rotameters, Turbine and Paddle Wheel Flowmeters, Ultrasonic Flowmeters, Valves, Variable Area Flowmeters, Vortex Shedding Flowmeters

### • pH and Conductivity

Conductivity Instrumentation, Dissolved Oxygen Instrumentation, Environmental Instrumentation, pH Electrodes and Instruments, Water and Soil Analysis Instrumentation

### • Data Acquisition

Communication Products and Converters, Data Acquisition and Analysis Software, Data Loggers Plug-in Cards, Signal Conditioners, USB, RS232, RS485, Ethernet and Parallel Port Data Acquisition Systems, Wireless Transmitters and Receivers

### • Pressure, Strain and Force

Displacement Transducers, Dynamic Measurement Force Sensors, Instrumentation for Pressure and Strain Measurements, Load Cells, Pressure Gauges, Pressure Reference Section, Pressure Switches, Pressure Transducers, Proximity Transducers, Regulators, Pressure Transmitters, Strain Gauges, Torque Transducers, Valves

### • Heaters

Band Heaters, Cartridge Heaters, Circulation Heaters, Comfort Heaters, Controllers, Meters and Switching Devices, Flexible Heaters, General Test and Measurement Instruments, Heater Hook-up Wire, Heating Cable Systems, Immersion Heaters, Process Air and Duct, Heaters, Radiant Heaters, Strip Heaters, Tubular Heaters