

# HMI OPERATOR INTERFACE **NEW**

Starts at  
**£178**



- True Analogue Touchscreen
- Retentive Internal Data Storage
- Real Time Trending
- Trend Stored Data
- Alarming and Alarm Storage
- Alarm Frequency
- Event Storage (History)
- USB Programming
- USB Memory Storage
- USB Printer
- Add I/O
- Macro Programming
- Multi-Language
- Recipe Storage
- Auto-Scale Application from 254 to 102 mm
- On-Line Simulation
- Off-Line Simulation
- 10-Level Password Protection

Today's marketplace is all about how you interface—with customers, suppliers and your machinery. Omega™ proudly offers a new and easy way to interface, HMI. Available in 102, 152, 203, and 254 mm models, HMI is a true analogue touch screen operator interface with programmable function buttons for the most robust applications. With the ability to store recipes, historical and alarm data, or transfer that data to a USB memory stick, using HMI makes interfacing with your machinery easier than ever.

## Your Application. Your HMI.

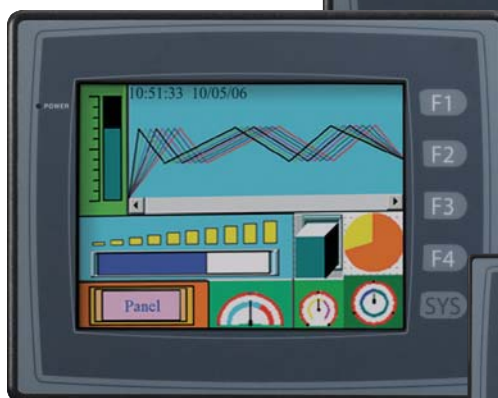
With features that allow you to customise the perfect operator interface for your application, HMI is the interface solution you want it to be. HMI models are available in either a blue mode, greyscale or colour screen versions. It's an interface solution  
*Manufactured by Eaton for OMEGA*



HMI10CE, 254 mm, £1070, shown smaller than actual size.



HMI08CE, 203 mm, £665, shown smaller than actual size.



HMI06CE, 152 mm, £399, shown smaller than actual size.



HMI04BU, 102 mm, £178, shown smaller than actual size.

designed to complement your application needs. Because one application doesn't fit all, you can scale your applications to any size HMI device in a few keystrokes—from 102 to 152 mm to 203 to 254 mm and back. If you decide to upgrade or downsize your operator interface, the click of a button resizes your screen image to match another

screen size. Once you see the features of HMI, you'll agree it's the perfect interface device for machines built to different specifications and size requirements. With the ever present need to be connected to your machinery and processes, communications are more important than ever. So, with an expansive driver list,



3 serial communication ports, HMI is the answer for

communicating on virtually any network, including over 20 brands of PLCs currently on the market. An expansion slot on the back of the unit connects to a Ethernet network or even I/O modules, allowing you to do more with your operator interface than ever before.

HMI simplifies configuring application parameters with features and software that provide added capabilities and make monitoring your system intuitive.

HMI stores your entire application, including images, so editing won't require original

source files. If your computer fails or years from now you need to edit the application, there's no need to track down old original source files. HMI is the source. Flexibility, plus the security of password protection, makes HMI the perfect operator interface for any user. A feature called Picture Bank uploads/downloads images from HMI to a personal computer. Save pictures and use them in other documents, and easily upload pictures and applications to new HMI units.

Its easy-to-use macro ability, with the strength to handle even the most complicated applications, allows HMI to help you manage your machine more efficiently than ever. From simple maths, storing and manipulating trends, data, and communications, to sending data from one PLC to another, macros make HMI the easiest interface on the market.



## SPECIFICATIONS

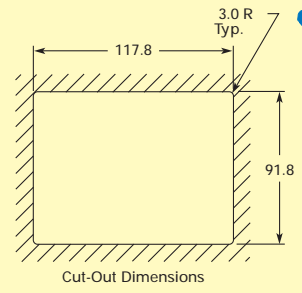
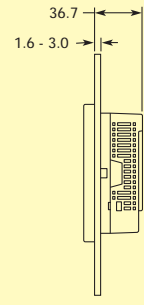
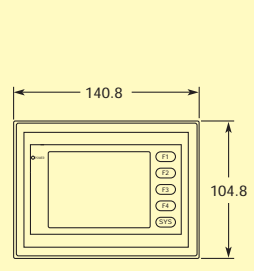
MODEL	HMI04BU	HMI06BE	HMI06CE	HMI08CE	HMI10CE
DISPLAY TYPE	STN	STN	STN	TFT-LCD	
DISPLAY COLOUR	8 Blues	8 Blues	256 Colours	65536 Colours	
SCREEN PIXELS	320 x 240	320 x 240		640 x 480	
BACK-LIGHT LIFE	About 10,000 hours at 25°C	About 50,000 hours at 25°C			About 30,000 hours at 25°C
DISPLAY SIZE	78.8 x 59.6 mm	118.2 x 89.4 mm		162.2 x 121.7 mm	215.2 x 162.4 mm
OPERATION SYSTEM	Real Time OS				
MCU	32-bit RISC Micro-controller/206.4 MHz				
MEMORY PROGRAM	1M	3M	3M	7M	7M
HISTORY	120K	360K	360K	360K	360K
RECIPE	64K <sup>2</sup>	128K	128K	128K	128K
ALARM	4K	16K	16K	16K	16K
DATA REGISTERS (MEMORY)					
Volatile	64K	64K	64K	64K	64K
Non-Volatile	1K	1K	1K	1K	1K
BACKUP MEMORY (BYTES)	128K			512K	512K
EXT. MEMORY					
SM CARD		✓	✓	✓	✓
USB DISK	✓			✓	✓
EXTENSION INTERFACE		✓	✓	✓	✓
USB FOR DOWNLOAD (USB CLIENT)	1 Client Ver. 1.1				
USB FOR DATA STORAGE/ PRINTER (USB HOST)	✓			✓	✓
LCD MODULE (BACK LIGHT)	LED	CCFL	CCFL	CCFL	2CCFL
SAFETY APPROVAL (WATER-PROOF FOR FRONT PANEL)	IP65/NEMA 4X/UL/cUL/C-Tick				
OPERATING TEMP.	0 to 50°C				
STORAGE TEMP.	-20 to 60°C				
AMBIENT HUMIDITY	10 to 90% RH (0 to 40°C), 10 to 55% RH (41 to 50°C)				
DIMENSIONS: mm (W X H X D)	140.8 x 104.8 x 44.8	184.1 x 144.1 x 47		243.1 x 178.1 x 52.4	297.1 x 222.1 x 51.1
WEIGHT: KG	0.315	0.768		1.147	1.721
BACKUP BATTERY	3 V Lithium Battery CR2032 x 1/Battery Life: 5 Years				
BUZZER	85dB				
OPERATION VOLTAGE	DC +24V (10 to 20%) (Please use isolated power supply) <sup>1</sup>				
WATTAGE	2.64	7.2	7.2	14	15

<sup>1</sup> Not applicable for HMI08CE and HMI10CE.

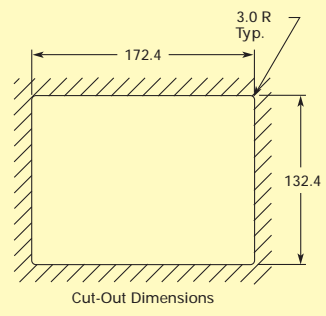
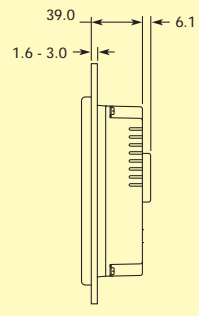
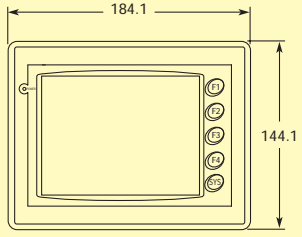
<sup>2</sup> Recipe memory uses program memory.



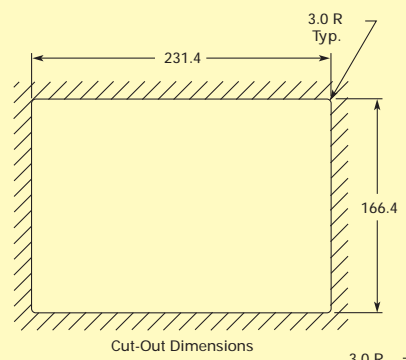
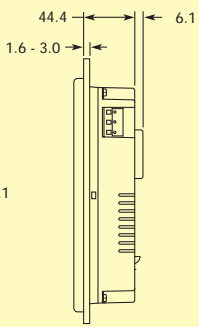
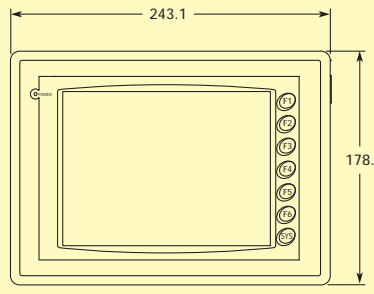
HMi04



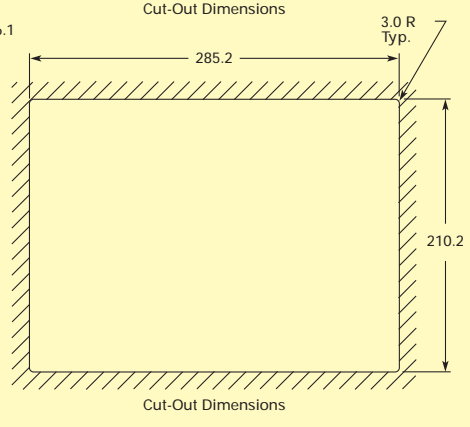
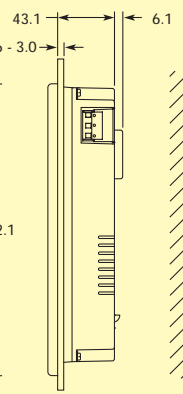
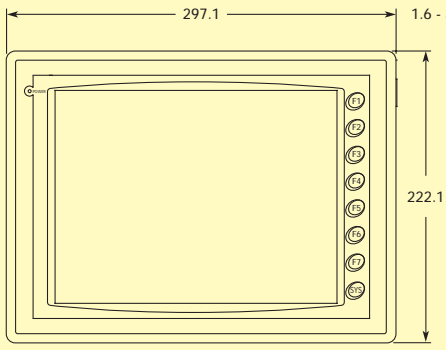
HMi06



HMi08CE



HMi10C



Dimensions: mm

**AVAILABLE FOR FAST DELIVERY!**

**To Order** (Specify Model Number)

MODEL NO.	PRICE	DESCRIPTION
HMI04BU	£178	HMi 102 mm blue mode touchscreen
HMI06BE	245	HMi 152 mm blue mode with expansion slot
HMI06CE	399	HMi 152 mm colour mode with expansion slot
HMI08CE	665	HMi 203 mm colour mode with expansion slot
HMI10CE	1070	HMi 254 mm colour mode with expansion slot
HMI04BU	66	HMi programming software

Ordering Example: HMI06BE, HMi 152 mm blue mode with expansion slot, £245.

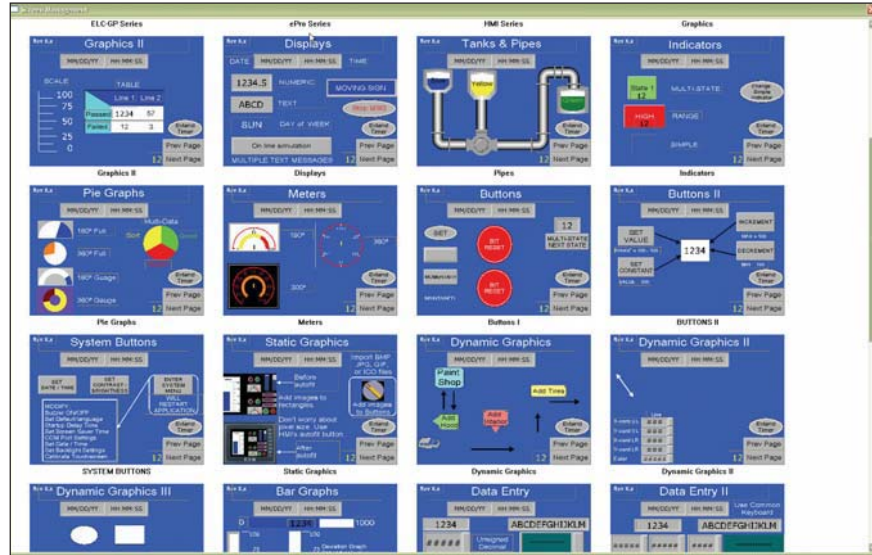
\* Recommended accessory.



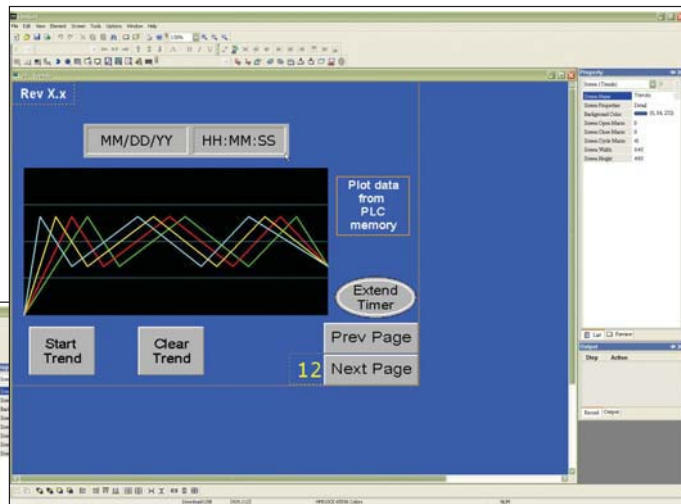
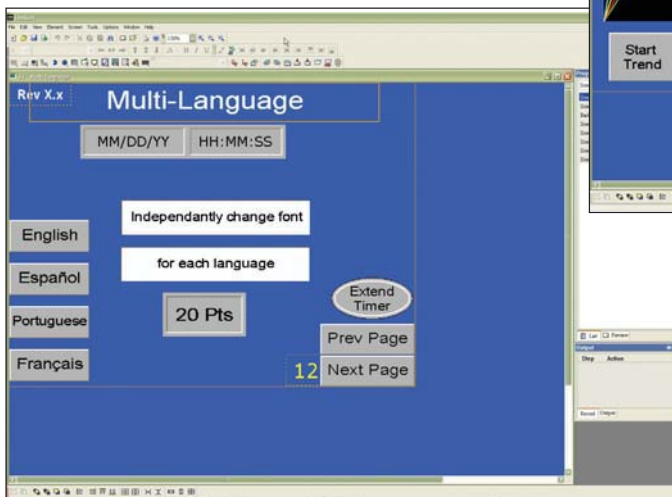
# HMISOFT PROGRAMMING SOFTWARE



- Simulate an Application On-Line or Off-Line
- Built-In Picture Library
- Create Your Own Picture Library
- Screen Manager
- 70 On-Screen Objects
- Easy Object Setup
- Monitor All States of Objects
- Macro Editing
- Scale Application from 102 to 254 mm
- Upload/Download Applications Over USB



For use with the HMI series of touchscreens, this software supports all of the features of HMI. This easy to use Windows based software can run on Windows 2000 and XP with a minimum CPU of Pentium III 500 Mhz, 256 MB RAM, 100 MB free hard disk space and mouse.



**To Order** (Specify Model Number)

**AVAILABLE FOR FAST DELIVERY!**

MODEL NO.	PRICE	DESCRIPTION
HMISOFT	£66	HMI programming software

Ordering Example: HMISOFT, HMI programming software, £66.



# omega.co.uk<sup>®</sup>

Your One-Stop Source for Process Measurement and Control!

Freephone 0800 488 488 | International +44(0) 161 777 6622 | Fax +44(0) 161 777 6622 | Sales@omega.co.uk

[www.omega.co.uk](http://www.omega.co.uk)



#### UNITED STATES

[www.omega.com](http://www.omega.com)

1-800-TC-OMEGA

Stamford, CT.

#### CANADA

[www.omega.ca](http://www.omega.ca)

Laval(Quebec)

1-800-TC-OMEGA

#### GERMANY

[www.omega.de](http://www.omega.de)

Deckenpfronn, Germany

0800-8266342

#### UNITED KINGDOM

[www.omega.co.uk](http://www.omega.co.uk)

Manchester, England

0800-488-488

#### FRANCE

[www.omega.fr](http://www.omega.fr)

088-466-342

#### CZECH REPUBLIC

[www.omegaeng.cz](http://www.omegaeng.cz)

Karviná, Czech Republic

596-311-899

#### BENELUX

[www.omega.nl](http://www.omega.nl)

0800-099-33-44



## More than 100,000 Products Available!

### • Temperature

Calibrators, Connectors, General Test and Measurement Instruments, Handheld Instruments for Temperature Measurement, Ice Point References, Indicating Labels, Crayons, Cements and Lacquers, Infrared Temperature Measurement Instruments, Recorders, Relative Humidity Measurement Instruments, PT100 Probes, PT100 Elements, Temperature & Process Meters, Timers and Counters, Temperature and Process Controllers and Power Switching Devices, Thermistor Elements, Probes and Assemblies, Thermocouples, Thermowells and Head and Well Assemblies, Transmitters, Thermocouple Wire, RTD Probes

### • Flow and Level

Air Velocity Indicators, Doppler Flowmeters, Level Measurement, Magnetic Flowmeters, Mass Flowmeters, Pitot Tubes, Pumps, Rotameters, Turbine and Paddle Wheel Flowmeters, Ultrasonic Flowmeters, Valves, Variable Area Flowmeters, Vortex Shedding Flowmeters

### • pH and Conductivity

Conductivity Instrumentation, Dissolved Oxygen Instrumentation, Environmental Instrumentation, pH Electrodes and Instruments, Water and Soil Analysis Instrumentation

### • Data Acquisition

Auto-Dialers and Alarm Monitoring Systems, Communication Products and Converters, Data Acquisition and Analysis Software, Data Loggers Plug-in Cards, Signal Conditioners, USB, RS232, RS485 and Parallel Port Data Acquisition Systems, Wireless Transmitters and Receivers

### • Pressure, Strain and Force

Displacement Transducers, Dynamic Measurement Force Sensors, Instrumentation for Pressure and Strain Measurements, Load Cells, Pressure Gauges, Pressure Reference Section, Pressure Switches, Pressure Transducers, Proximity Transducers, Regulators, Pressure Transmitters, Strain Gauges, Torque Transducers, Valves

### • Heaters

Band Heaters, Cartridge Heaters, Circulation Heaters, Comfort Heaters, Controllers, Meters and Switching Devices, Flexible Heaters, General Test and Measurement Instruments, Heater Hook-up Wire, Heating Cable Systems, Immersion Heaters, Process Air and Duct, Heaters, Radiant Heaters, Strip Heaters, Tubular Heaters