

# NORGREN EXCELON® OIL REMOVING (COALESCING) FILTERS



F72C-2AD-AE0  
**\$88**



- In-Line or Modular Installation
- High Efficiency Oil and Particle Removal
- Quick Release Bayonet Bowl
- Standard Visual Service Life Indicator Turns from Green to Red When the Filter Element Needs to be Replaced
- Optional Electrical Service Indicator Also Available
- Modular Installations with Excelon 72, 73 and 74 Series Can be Made to Suit Particular Applications

## SPECIFICATIONS

**Fluid:** Compressed air

**Maximum Pressure:**

**Transparent Bowl:**

**Manual or Semiautomatic Drain:**  
10 bar (150 psig)

**Automatic Drain:** 8 bar (116 psig)

**Metal Bowl:**

**Manual or Semiautomatic Drain:**  
17 bar (250 psig)

**Automatic Drain:** 8 bar (116 psig)

**Operating Temperature\*:**

**Transparent Bowl:** -34 to 50°C  
(-30 to 125°F)

**Metal Bowl:** -34 to 65°C  
(-30 to 150°F)

**Particle Removal:** 0.01 µm

## F72C MATERIALS

**Body:** Zinc

**Transparent Bowl:** Polycarbonate

**Guard for Transparent Bowl:** Zinc

**Metal:** Zinc

**Metal Bowl Liquid Level**

**Indicator Lens:** Transparent nylon

**Element:** Synthetic fiber and polyurethane foam

**Elastomers:** Neoprene and nitril



F72C-2AD-AE0, \$88, shown smaller than actual size.



F73C-3AD-AD0, \$122, shown smaller than actual size.



F74H-4AD-AD0, \$174, shown smaller than actual size.

## OPTIONS SELECTOR

F7 □ □ □ □ □ □ 0

Series	Substitute	Bowl	Substitute
72	2C	Metal w/ liquid level indicator (72, 73, 74)	D
73	3C	Long metal w/ liquid level indicator (72)	E
74	4C	Long transparent (72)	L
74 (High flow)	4H	Transparent with guard (73, 74)	P
		Transparent bowl (72, 73)	T

Port size	Substitute	Drain	Substitute
¼" (72 & 73)	2	¼ turn manual	Q
⅜" (72, 73, 74)	3	Auto drain*	A
½" (73 & 74)	4		
¾" (74)	6		

Threads	Substitute	Service life indicator	Substitute
PTF	A	With (visual)	D
ISO G parallel	G	With (electrical)	E
		Without	N

\* 72 Series auto drain is available only with long bowl option.

**NOTE:** Coalescing filters should be used in conjunction with a 5 µm general purpose filter upstream to maximize filter element life and optimize performance.

## Service Life Indicator Materials-

**Body:** Transparent nylon

**Internal Parts:** Acetal

**Spring:** Stainless steel

**Elastomers:** Nitrile

## F73C and F74C MATERIALS

**Body:** Aluminum

**Transparent Bowl:** Polycarbonate

**Transparent with Guard:**  
Polycarbonate, steel guard

**Metal Bowl:** Aluminum

## Metal Bowl Liquid Level

**Indicator Lens:** Transparent nylon

**Element:** Synthetic fiber and polyurethane foam

**Elastomers:** Neoprene and nitrile

**Mechanical Service Indicator**

**Materials Body:** Transparent nylon

**Internal parts:** Acetal

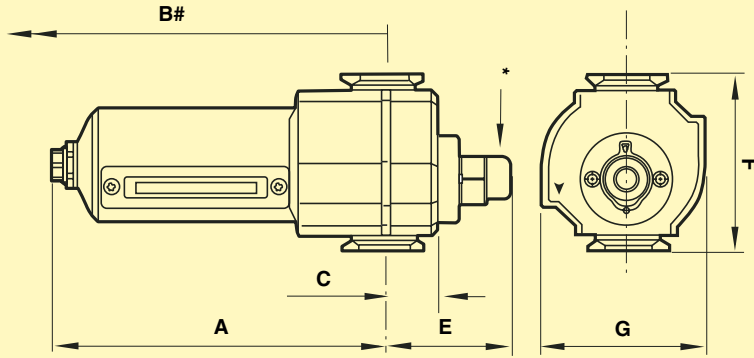
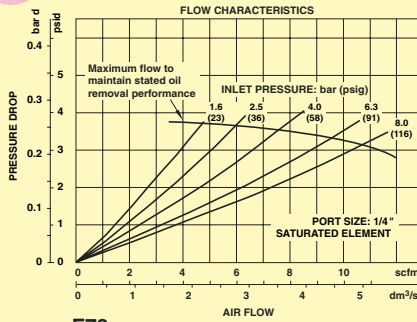
**Spring:** Stainless steel

**Elastomers:** Nitrile

\* Air supply must be dry enough to avoid ice formation at temperatures below 2°C (35°F).

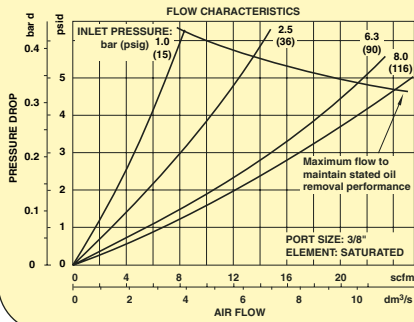


F72

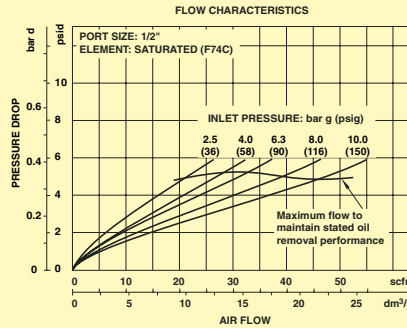


\* Standard service indicator  
# Minimum clearance required to remove bowl

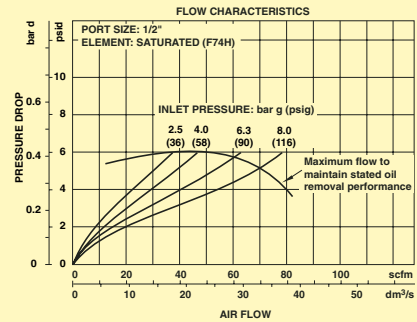
F73



F74C



F74H



**DIMENSIONS**

STANDARD DIMENSIONS (in)							
SERIES	DRAIN TYPE	A	B	C	E	F	G
F72C	Auto	5.98	7.99	0.75	2.09	1.97	1.89
F72C	Manual	5.28	7.28	0.75	2.09	1.97	1.89
F73C	Auto	6.48	8.84	0.98	2.36	2.68	2.44
F73C	Manual	6.14	8.50	0.98	2.36	2.68	2.44
F74C	Auto	7.03	9.75	0.98	2.36	3.15	2.91
F74C	Manual	6.97	9.69	0.98	2.36	3.15	2.91
F74H	Auto	9.15	11.87	0.98	2.36	3.15	2.91
F74H	Manual	9.06	11.81	0.98	2.36	3.15	2.91

METRIC DIMENSIONS (mm)							
SERIES	DRAIN TYPE	A	B	C	E	F	G
F72C	Auto	152	203	19.1	53.1	50.0	48.0
F72C	Manual	134	185	19.1	53.1	50.0	48.0
F73C	Auto	165	225	24.9	59.9	68.1	62.0
F73C	Manual	156	216	24.9	59.9	68.1	62.0
F74C	Auto	179	248	24.9	59.9	80.0	73.9
F74C	Manual	177	246	24.9	59.9	80.0	73.9
F74H	Auto	232	301	24.9	59.9	80.0	73.9
F74H	Manual	230	300	24.9	59.9	80.0	73.9

To Order (Specify Model Number)				MOST POPULAR MODELS HIGHLIGHTED!		
MODEL NO.	PRICE	PORT SIZE (in)	FLOW TYPE	FLOW SCFM† (DM³/S)	WEIGHT kg (lb)	
F72C-2AD-AE0	\$88	¼	Standard flow	9.5 (4.5)	0.54 (1.2)	
F73C-3AD-AD0	122	⅜	Standard flow	21.2 (10.0)	0.54 (1.2)	
F74C-4AD-AD0	152	½	Standard flow	33.9 (16.0)	0.83 (1.84)	
F74H-4AD-AD0	174	½	High flow	59.3 (28.0)	1.11 (2.45)	
F74H-6AD-AD0	174	¾	High flow	59.3 (28.0)	1.10 (2.40)	

**Notes:** Models listed include PTF threads, service indicator, automatic drain and a metal bowl with liquid level indicator.  
 † Maximum flow with 6.3 bar (90 psig) inlet pressure to maintain stated oil removal performance.  
**Ordering Example:** F73C-3AD-AD0, oil removing filter with ⅜" port, metal bowl with liquid level indicator and PTF threads, \$122.  
 F74C-4AD-AD0, oil removing filter with ½" port, metal bowl with liquid level sensor and PTF threads, \$152.



#### UNITED STATES

[www.omega.com](http://www.omega.com)  
1-800-TC-OMEGA  
Stamford, CT.

#### CANADA

[www.omega.ca](http://www.omega.ca)  
Laval(Quebec)  
1-800-TC-OMEGA

#### GERMANY

[www.omega.de](http://www.omega.de)  
Deckenpfronn, Germany  
0800-8266342

#### UNITED KINGDOM

[www.omega.co.uk](http://www.omega.co.uk)  
Manchester, England  
0800-488-488

#### FRANCE

[www.omega.fr](http://www.omega.fr)  
Guyancourt, France  
088-466-342

#### CZECH REPUBLIC

[www.omegaeng.cz](http://www.omegaeng.cz)  
Karviná, Czech Republic  
596-311-899

#### BENELUX

[www.omega.nl](http://www.omega.nl)  
Amstelveen, NL  
0800-099-33-44



## More than 100,000 Products Available!

### • Temperature

Calibrators, Connectors, General Test and Measurement Instruments, Glass Bulb Thermometers, Handheld Instruments for Temperature Measurement, Ice Point References, Indicating Labels, Crayons, Cements and Lacquers, Infrared Temperature Measurement Instruments, Recorders Relative Humidity Measurement Instruments, RTD Probes, Elements and Assemblies, Temperature & Process Meters, Timers and Counters, Temperature and Process Controllers and Power Switching Devices, Thermistor Elements, Probes and Assemblies, Thermocouples Thermowells and Head and Well Assemblies, Transmitters, Wire

### • Flow and Level

Air Velocity Indicators, Doppler Flowmeters, Level Measurement, Magnetic Flowmeters, Mass Flowmeters, Pitot Tubes, Pumps, Rotameters, Turbine and Paddle Wheel Flowmeters, Ultrasonic Flowmeters, Valves, Variable Area Flowmeters, Vortex Shedding Flowmeters

### • pH and Conductivity

Conductivity Instrumentation, Dissolved Oxygen Instrumentation, Environmental Instrumentation, pH Electrodes and Instruments, Water and Soil Analysis Instrumentation

### • Data Acquisition

Auto-Dialers and Alarm Monitoring Systems, Communication Products and Converters, Data Acquisition and Analysis Software, Data Loggers Plug-in Cards, Signal Conditioners, USB, RS232, RS485 and Parallel Port Data Acquisition Systems, Wireless Transmitters and Receivers

### • Pressure, Strain and Force

Displacement Transducers, Dynamic Measurement Force Sensors, Instrumentation for Pressure and Strain Measurements, Load Cells, Pressure Gauges, Pressure Reference Section, Pressure Switches, Pressure Transducers, Proximity Transducers, Regulators, Strain Gages, Torque Transducers, Valves

### • Heaters

Band Heaters, Cartridge Heaters, Circulation Heaters, Comfort Heaters, Controllers, Meters and Switching Devices, Flexible Heaters, General Test and Measurement Instruments, Heater Hook-up Wire, Heating Cable Systems, Immersion Heaters, Process Air and Duct, Heaters, Radiant Heaters, Strip Heaters, Tubular Heaters