

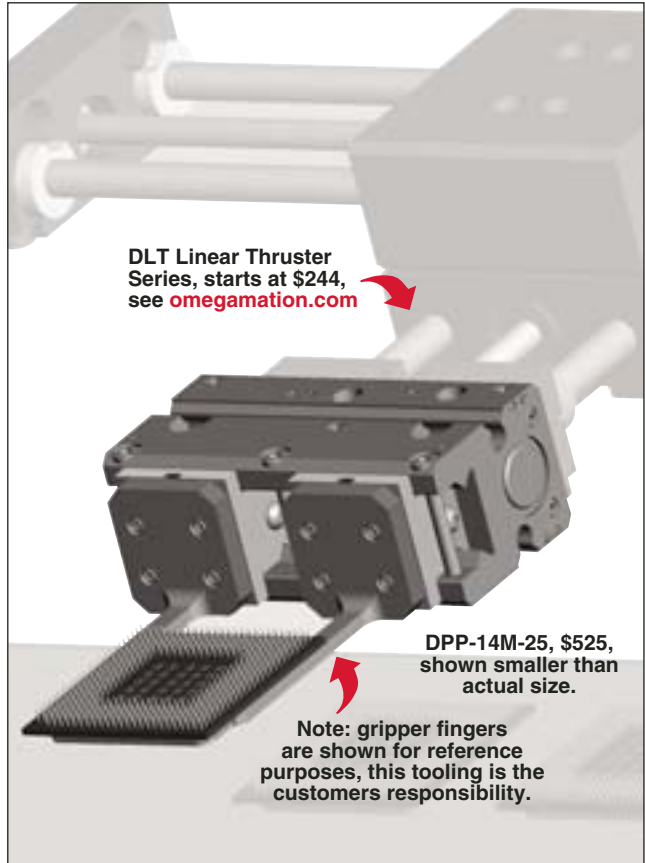


GRIPPERS PNEUMATIC PRECISION PARALLEL MOVEMENT DPP DIRECTCONNECT™ SERIES

DPP Series Starts at \$365



- Precision Gripping—Preloaded V Roller Bearing Eliminate Side Play Resulting in Excellent Part Positioning
- Accuracy of ± 0.03 mm (0.001") and Repeatability of ± 0.01 mm (0.0005")
- Highly Configurable Modular Automation—Exclusive Direct Connect™ Technology Provides Multiple Mounting Options
- Multiple Pneumatic Port Locations—Tapped Ports on Front, Top and Both Sides are Standard
- Rigid and Low Friction Design Provides Longer Gripper Finger Lengths and the Ability to Handle Delicate Parts
- Non Synchronous Motion Option Provides Independent Jaw Motion
- Up to 5 Million Cycles in Typical Application—Up to 10 Million with Maintenance
- Temperature Operating Range -35 to 80°C (-30 to 180°F)
- System Requires 0.3 to 7 bar (5 to 100 psi) Dry Filtered (40 Micron or Better) Air Supply
- Accessory Equipment Required—4-Way, 2 Position Pneumatic Directional Control Valve



DLT Linear Thruster Series, starts at \$244, see omegamation.com

DPP-14M-25, \$525, shown smaller than actual size.

Note: gripper fingers are shown for reference purposes, this tooling is the customers responsibility.

PRODUCT FEATURES

Excellent Accuracy

Excellent parallelism and accuracy between gripper mounting surface and jaw surfaces.

Top Manifold Air Ports

Eliminates the need for airlines.

Accessory Mounting Slots

For Magneto Resistive and Inductive sensors (sensors sold separately).

Dowel Holes

H7 dowel pin holes in body and jaws. Jaws also have key slot for better finger alignment.

Superior Jaw Support

Jaws are supported using our patented "Dual-V" roller bearing design.

Hardened Plated Jaws

For wear resistance and longer life.

Multiple Sensor Capabilities

Capable of sensing both jaws in the open and closed positions (up to 4 sensors can be used for multi-position sensing). Sensor magnets on pistons come standard for Magneto Resistive Sensing.

Standard Purge/Scavenge Port

Used with a vacuum for clean room environments or positive pressure for harsh environments and jaw surfaces.

Shielded Design

Shielded design repels contamination from penetrating the "Dual-V" roller bearings.

Hard Coat Anodized

One piece, aircraft quality aluminum body, has hard-coat anodize 60 RC with PFA impregnation.

Multiple Air Port Locations

4 standard locations; front, top and both sides

DIRECTCONNECT™ Mounting Patterns

DIRECTCONNECT™ tapped and dowel mounting surfaces on top and side of body (except DPP-28).

DPP-10M-06, \$365, shown slightly smaller than actual size.

Optional Spring Assist

For close stroke.

Self Lubricating Dynamic Seals

(Buna-N only)

Adjustable Pre-load Screws

Allows for adjustment of preload on roller bearings.

High Grip Force

With respect to weight due to extremely efficient drive mechanism.

"Dual-V" Roller Bearings

Provide low friction motion and are preloaded for maximum support and zero side play.

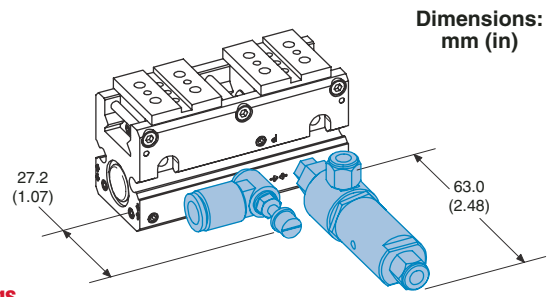
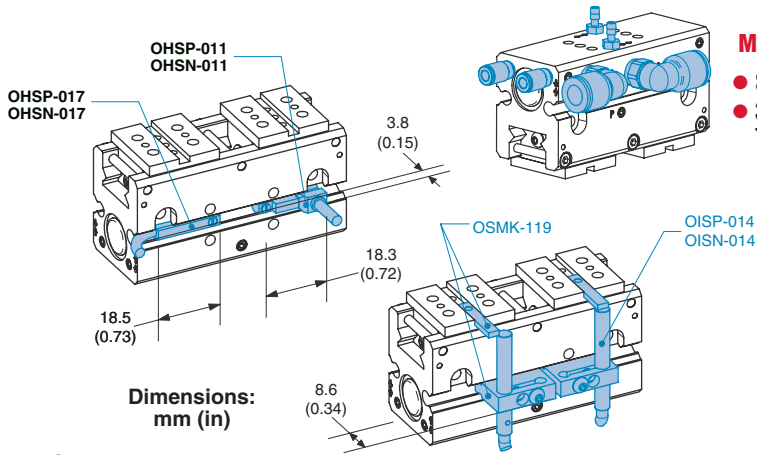
Fkm Seals

Available for high temperature applications.



Multiple Air Port Locations

- Standard M5 Air Ports on Front Surface
- 3 M3 Air Port locations (Left, Right, and Top Surface) Are Plugged as Standard



Dimensions:
mm (in)

Sensors

- Magneto Resistive or Inductive Proximity Available
- Capable of Sensing 4 Positions Open and Closed on Both Jaws
- PNP and NPN Available
- Magneto Resistive Sensors Are Slot Mounted, No Mounting Kits Required
- Threaded Quick Disconnect with Built-In LED Output
- Sensors Mount on Either Side of Gripper
- Sensors Magnets in Pistons Are Standard

Plumbing Fittings

- Adjustable Flow Controls
 - Have Thumb Screw Adjust with Locking Nut for Adjusting Actuation Time
 - Available for 3 or 6 mm OD Tubing
- Failsafe Valve for Applications
 - Where it is Critical That the Part Being Gripped Not be Dropped if Air Pressure is Lost
 - Can Mount Directly to Gripper or In-Line with Plumbing to Gripper
 - For M5 Air Ports
- Consult Factory for Additional Plumbing Fittings

To Order (Specify Model Number)

MOST POPULAR MODELS HIGHLIGHTED!

MODEL NO.	PRICE	JAW LGTH CLOSED mm (in)	JAW LGTH OPEN mm (in)	BODY DEPTH mm (in)	BODY LGTH mm (in)	BODY HEIGHT mm (in)	MAX STROKE mm (in)	GRIP FORCE N (lbs)	WEIGHT Kg (lbs)
DPP-10M-06	\$365	47 (1.85)	53 (2.10)	25 (0.98)	63 (2.47)	35 (1.36)	6.4 (0.25)	111(25)	0.16 (0.35)
DPP-10M-12	415	49 (1.93)	62 (2.43)	25 (0.98)	74 (2.90)	35 (1.36)	12.7 (0.50)	111(25)	0.20 (0.45)
DPP-14M-15	450	63 (2.47)	79 (3.10)	34 (1.34)	90 (3.55)	42 (1.66)	15.9 (0.63)	200 (45)	0.48 (1.05)
DPP-14M-25	525	82 (3.23)	107 (4.23)	34 (1.34)	119 (4.67)	42 (1.66)	25.4 (1.00)	200 (45)	0.57 (1.25)
DPP-10M-06-C	390	47 (1.85)	53 (2.10)	25 (0.98)	63 (2.47)	35 (1.36)	6.4 (0.25)	120 (27)	0.16 (0.35)
DPP-10M-12-C	440	49 (1.93)	62 (2.43)	25 (0.98)	74 (2.90)	35 (1.36)	12.7 (0.50)	120 (27)	0.20 (0.45)
DPP-14M-15-C	485	63 (2.47)	79 (3.10)	34 (1.34)	90 (3.55)	42 (1.66)	15.9 (0.63)	227 (51)	0.48 (1.05)
DPP-14M-25-C	560	82 (3.23)	107 (4.23)	34 (1.34)	119 (4.67)	42 (1.66)	25.4 (1.00)	214 (48)	0.57 (1.25)

Ordering Example: DPP-14M-25, pneumatically powered precision gripper with DirectConnect easy mounting technology, 25.4 mm (1") jaw stroke and 200 N (45 lbs) of gripping force, \$525. All models have a temperature range of -35 to 80°C (-30 to 180°F). The temperature range can be modified to -30 to 120°C (-20 to 250°F) with FKM seals. Add "V" to the end of the model Number and \$36. All models come standard with synchornous jaws, if non synchornous is required consult sales. All models with the "-C" option have a spring assist closing mechanism on the jaws to provide fail safe closing and additional gripping force. Detailed specifications and CAD drawings are available at omegamation.com

Accessories

MODEL NO.	PRICE	DESCRIPTION
SENSOR ACCESSORIES		
OISN-014	\$114	NPN inductive proximity sensor
OISP-014	114	PNP inductive proximity sensor
OHSN-011	63	NPN magneto resistive sensor 90° barrell with quick disconnect fitting
OHSP-011	63	PNP magneto resistive sensor 90° barrell with quick disconnect fitting
OHSN-017	63	NPN magneto resistive sensor short barrell with quick disconnect fitting
OHSP-017	63	PNP magneto resistive sensor short barrell with quick disconnect fitting
CABL-010	23	2 m sensor extension cable with quick disconnect fitting
CABL-013	26	5 m sensor extension cable with quick disconnect fitting
OSMK-119	40	DPP-10M-14M inductive sensor mounting kit
PNEUMATIC ACCESSORIES		
Pneumatic Tubing	Consult Sales	Polyurethane tubing in multiple diameters and colors avaiailable, see omegamation.com
Pneumatic Fittings	Consult Sales	Poly-Tube fittings in Male or Female NPT in multiple configurations, see omegamation.com
Pneumatic Flow Controls	Consult Sales	Adjustable flow control fittings and directional control valves, see omegamation.com



UNITED STATES

www.omega.com
1-800-TC-OMEGA
Stamford, CT.

CANADA

www.omega.ca
Laval(Quebec)
1-800-TC-OMEGA

GERMANY

www.omega.de
Deckenpfronn, Germany
0800-8266342

UNITED KINGDOM

www.omega.co.uk
Manchester, England
0800-488-488

FRANCE

www.omega.fr
Guyancourt, France
088-466-342

CZECH REPUBLIC

www.omegaeng.cz
Karviná, Czech Republic
596-311-899

BENELUX

www.omega.nl
Amstelveen, NL
0800-099-33-44



More than 100,000 Products Available!

• Temperature

Calibrators, Connectors, General Test and Measurement Instruments, Glass Bulb Thermometers, Handheld Instruments for Temperature Measurement, Ice Point References, Indicating Labels, Crayons, Cements and Lacquers, Infrared Temperature Measurement Instruments, Recorders Relative Humidity Measurement Instruments, RTD Probes, Elements and Assemblies, Temperature & Process Meters, Timers and Counters, Temperature and Process Controllers and Power Switching Devices, Thermistor Elements, Probes and Assemblies, Thermocouples Thermowells and Head and Well Assemblies, Transmitters, Wire

• Flow and Level

Air Velocity Indicators, Doppler Flowmeters, Level Measurement, Magnetic Flowmeters, Mass Flowmeters, Pitot Tubes, Pumps, Rotameters, Turbine and Paddle Wheel Flowmeters, Ultrasonic Flowmeters, Valves, Variable Area Flowmeters, Vortex Shedding Flowmeters

• pH and Conductivity

Conductivity Instrumentation, Dissolved Oxygen Instrumentation, Environmental Instrumentation, pH Electrodes and Instruments, Water and Soil Analysis Instrumentation

• Data Acquisition

Auto-Dialers and Alarm Monitoring Systems, Communication Products and Converters, Data Acquisition and Analysis Software, Data Loggers Plug-in Cards, Signal Conditioners, USB, RS232, RS485 and Parallel Port Data Acquisition Systems, Wireless Transmitters and Receivers

• Pressure, Strain and Force

Displacement Transducers, Dynamic Measurement Force Sensors, Instrumentation for Pressure and Strain Measurements, Load Cells, Pressure Gauges, Pressure Reference Section, Pressure Switches, Pressure Transducers, Proximity Transducers, Regulators, Strain Gages, Torque Transducers, Valves

• Heaters

Band Heaters, Cartridge Heaters, Circulation Heaters, Comfort Heaters, Controllers, Meters and Switching Devices, Flexible Heaters, General Test and Measurement Instruments, Heater Hook-up Wire, Heating Cable Systems, Immersion Heaters, Process Air and Duct, Heaters, Radiant Heaters, Strip Heaters, Tubular Heaters