



NORGREN EXCELON® FILTER-REGULATOR/LUBRICATOR COMBINATION UNITS

C72H Series Starts at \$146



C72H-2AK-AW3-RMG-QWN, \$147, shown smaller than actual size.



C74H-3AK-AD3-RMG-QDN, \$238, shown smaller than actual size.

- True Modularity with Norgren Quikclamp® Connections
- Quick Release Bayonet Bowl

- Lubricator Flow Sensor Provides a Nearly Constant Oil/Air Ratio Over a Wide Range of Air Flows
- All Around (360°) Visibility of the Lubricator Sight-Feed Dome Simplifies Installation and Adjustment

- Regulator Balanced Valve Minimizes Effect of Variation in the Inlet Pressure on the Outlet Pressure



SPECIFICATIONS

Fluid: Compressed air

Maximum Pressure:

Transparent Bowl: 10 bar (150 psig)

Metal Bowl:

Manual or Semiautomatic

Drain: 17 bar (250 psig)

Automatic Drain: 10 bar (150 psig)

Operating Temperature*:

Transparent Bowl:

-20 to 50°C (0 to 125°F)

Metal Bowl: -20 to 65°C (0 to 150°F)

Particle Removal: 5, 25, or 40 µm filter element

MATERIALS

Body: Zinc

Bonnet: Acetal

Transparent Bowl: Polycarbonate

Guard for Transparent Bowl: Zinc

Metal: Zinc

Metal Bowl Liquid Level

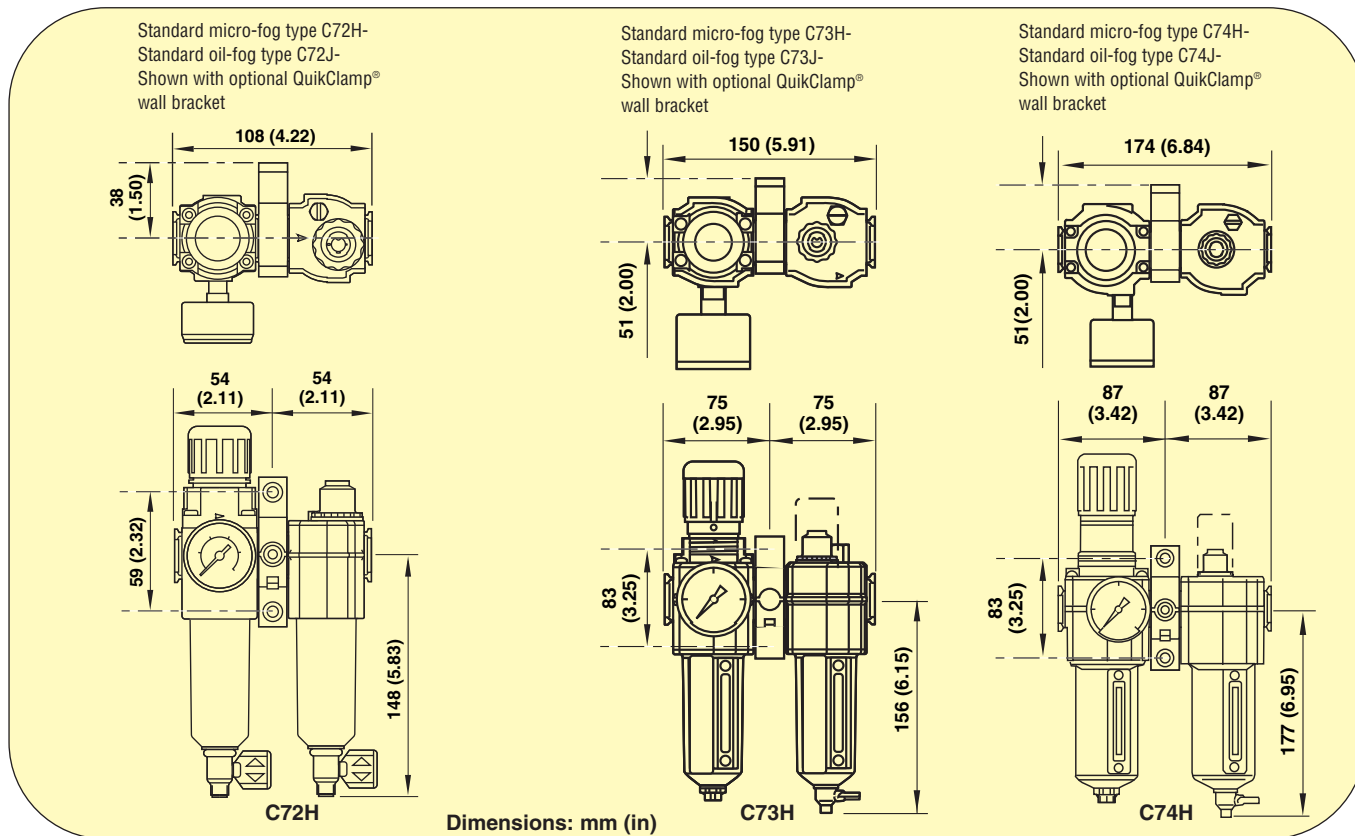
Indicator Lens: Transparent nylon

Sight Feed Dome: Transparent nylon

Element: Sintered polypropylene

Elastomers: Neoprene® and nitrile

* Air supply must be dry enough to avoid ice formation at temperatures below 2°C (35°F).



To Order (Specify Model Number)

MOST POPULAR MODELS HIGHLIGHTED!

MODEL NO.	PRICE	PORT SIZE (in)	COMBINATION TYPE	WEIGHT kg (lb)
C72H-2AK-AW3-RMG-QWN	\$147	¼	Standard micro-fog filter/regulator with lubricator	1.08 (2.37)
C72H-3AK-AW3-RMG-QWN	146	⅜	Standard micro-fog filter/regulator with lubricator	1.08 (2.37)
C73H-2AK-AD3-RMG-QDN	203	⅜	Standard micro-fog filter/regulator with lubricator	1.36 (3.0)
C73H-3AK-AD3-RMG-QDN	203	⅜	Standard micro-fog filter/regulator with lubricator	1.36 (3.0)
C73H-4AK-AD3-RMG-QDN	203	½	Standard micro-fog filter/regulator with lubricator	1.36 (3.0)
C74H-3AK-AD3-RMG-QDN	238	⅜	Standard micro-fog filter/regulator with lubricator	2.36 (5.20)
C74H-4AK-AD3-RMG-QDN	238	½	Standard micro-fog filter/regulator with lubricator	2.30 (5.07)

Notes: Models include PTF threads. Filter/regulator has a knob adjustment, automatic drain, transparent bowl with guard, 40 µm element, relieving diaphragm and 10 bar (150 psig) regulating spring and gage. Lubricator is a micro-fog model with ¼ turn manual drain and transparent bowl with guard.

Ordering Examples: C72H-2AK-AW3-RMG-QWN, combination filter-regulator and lubricator, includes a standard micro-fog filter/regulator with a ¼" PTF port, knob pressure adjustment, automatic filter drain, 40 µm filter, relieving diaphragm, 5 to 150 psig regulating spring, manual ¼ turn drain and transparent lubricator bowl with guard, \$147. C72H-3AK-AW3-RMG-QWN, combination filter-regulator and lubricator, includes a standard micro-fog filter/regulator with a ⅜" PTF port, knob pressure adjustment, automatic filter drain, metal filter bowl with liquid level indicator and 40 µm filter, relieving diaphragm, 5 to 150 psig regulating spring, manual ¼ turn drain and metal lubricator bowl with liquid level indicator, \$146.

omega.co.uk[®]

Your One-Stop Source for Process Measurement and Control!

Freephone 0800 488 488 | International +44(0) 161 777 6622 | Fax +44(0) 161 777 6622 | Sales@omega.co.uk

www.omega.co.uk



UNITED STATES

www.omega.com

1-800-TC-OMEGA
Stamford, CT.

UNITED KINGDOM

www.omega.co.uk

Manchester, England
0800-488-488
+44-(0)161-777-6611

CANADA

www.omega.ca

Laval(Quebec)
1-800-TC-OMEGA

FRANCE

www.omega.fr

0800-466-342

GERMANY

www.omega.de

Deckenfronn, Germany
0800-8266342

BENELUX

www.omega.nl

0800-099-33-44



More than 100,000 Products Available!

• Temperature

Calibrators, Connectors, General Test and Measurement Instruments, Handheld Instruments for Temperature Measurement, Ice Point References, Indicating Labels, Crayons, Cements and Lacquers, Infrared Temperature Measurement Instruments, Recorders, Relative Humidity Measurement Instruments, PT100 Probes, PT100 Elements, Temperature & Process Meters, Timers and Counters, Temperature and Process Controllers and Power Switching Devices, Thermistor Elements, Probes and Assemblies, Thermocouples, Thermowells and Head and Well Assemblies, Transmitters, Thermocouple Wire, RTD Probes

• Flow and Level

Air Velocity Indicators, Doppler Flowmeters, Level Measurement, Magnetic Flowmeters, Mass Flowmeters, Pitot Tubes, Pumps, Rotameters, Turbine and Paddle Wheel Flowmeters, Ultrasonic Flowmeters, Valves, Variable Area Flowmeters, Vortex Shedding Flowmeters

• pH and Conductivity

Conductivity Instrumentation, Dissolved Oxygen Instrumentation, Environmental Instrumentation, pH Electrodes and Instruments, Water and Soil Analysis Instrumentation

• Data Acquisition

Communication Products and Converters, Data Acquisition and Analysis Software, Data Loggers Plug-in Cards, Signal Conditioners, USB, RS232, RS485, Ethernet and Parallel Port Data Acquisition Systems, Wireless Transmitters and Receivers

• Pressure, Strain and Force

Displacement Transducers, Dynamic Measurement Force Sensors, Instrumentation for Pressure and Strain Measurements, Load Cells, Pressure Gauges, Pressure Reference Section, Pressure Switches, Pressure Transducers, Proximity Transducers, Regulators, Pressure Transmitters, Strain Gauges, Torque Transducers, Valves

• Heaters

Band Heaters, Cartridge Heaters, Circulation Heaters, Comfort Heaters, Controllers, Meters and Switching Devices, Flexible Heaters, General Test and Measurement Instruments, Heater Hook-up Wire, Heating Cable Systems, Immersion Heaters, Process Air and Duct, Heaters, Radiant Heaters, Strip Heaters, Tubular Heaters