

STEPPER MOTOR DRIVE

PULSE AND DIRECTION, FULL AND HALF STEP 2.0 A, 35 VDC



Applied Motion Products
motors • drives • controls

2035
\$189



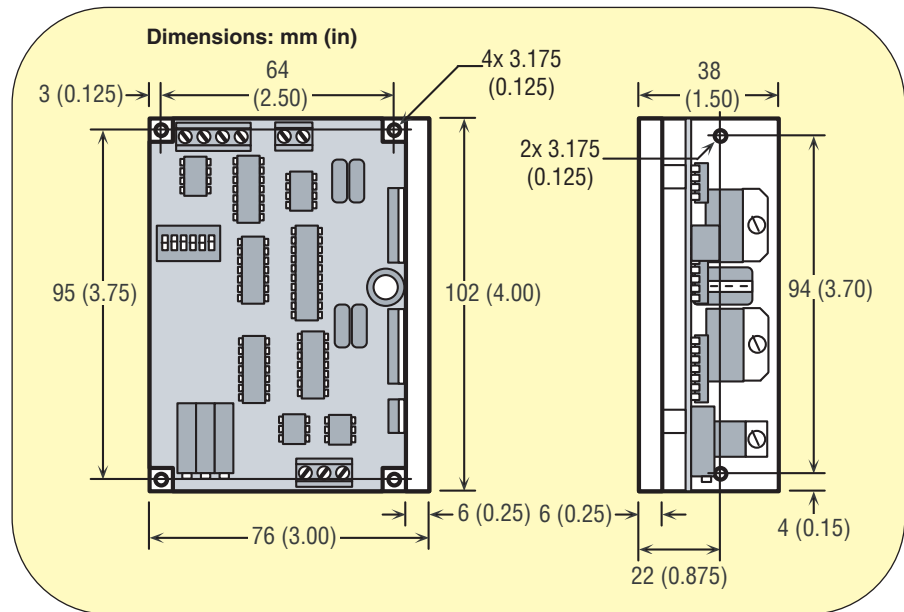
2035, \$189, close to actual size.

- Wide Range of Motor Sizes
- 70 W of Usable Power
- Pulse Width Modulation Switching Amplifiers
- DC Bus Voltage 12 to 35 Vdc Motor Supply (Including Ripple)
- Phase Current from 0.125 to 2.0 A (Switch Selected, 16 Settings)
- Step, Direction and Enable Inputs, Optically Isolated, 5 to 24V
- Inputs Can be Sourcing (PNP) or Sinking (NPN) Type
- Full and Half Step (Switch Selected)
- Automatic 50% Idle Current Reduction (Switch Selected)
- Compact Size:
38.1 x 76.2 x 101.6 mm (1.5 x 3.0 x 4.0")
- CE Compliant

The 2035 step motor driver is a full or half step phase sequencer with three state switching amplifiers and optoisolated circuits. The drive also includes an automatic feature to lower motor current by 50% anytime the motor is left at rest for more than one second. This feature can be disabled. The amplifier regulates motor current by chopping at a constant, inaudible frequency. Phase current is selected from 16 levels by a DIP switch. Full or half step resolution is switch selectable.

SPECIFICATIONS

Amplifiers: Dual, bipolar H-bridge, pulse width modulated switching at 20 KHz. 12 to 35 Vdc input. 0.125 to 2.0 A/phase output current, switch selectable in 0.125 A increments. 70 W maximum output power. Automatic idle current reduction, reduces current to 50% of setting after one second.



Inputs: Step, direction and enable, optically isolated, 5 to 24V logic. 2200Ω input impedance. Motor steps when STEP input turns off. 10 μsec minimum low pulse. 50 μsec minimum set up time for direction signal.

Physical: Mounted on ¼ inch thick black anodized aluminum heat transfer chassis. 38.1 x 76.2 x 101.6 mm (1.5 x 3.0 x 4.0") overall. Power on red LED.

Maximum Chassis Temperature: 70°C (158°F)

Weight: 250 g (9 oz)

Ambient Temp Range (Operating): 0 to 70°C (32 to 158°F)

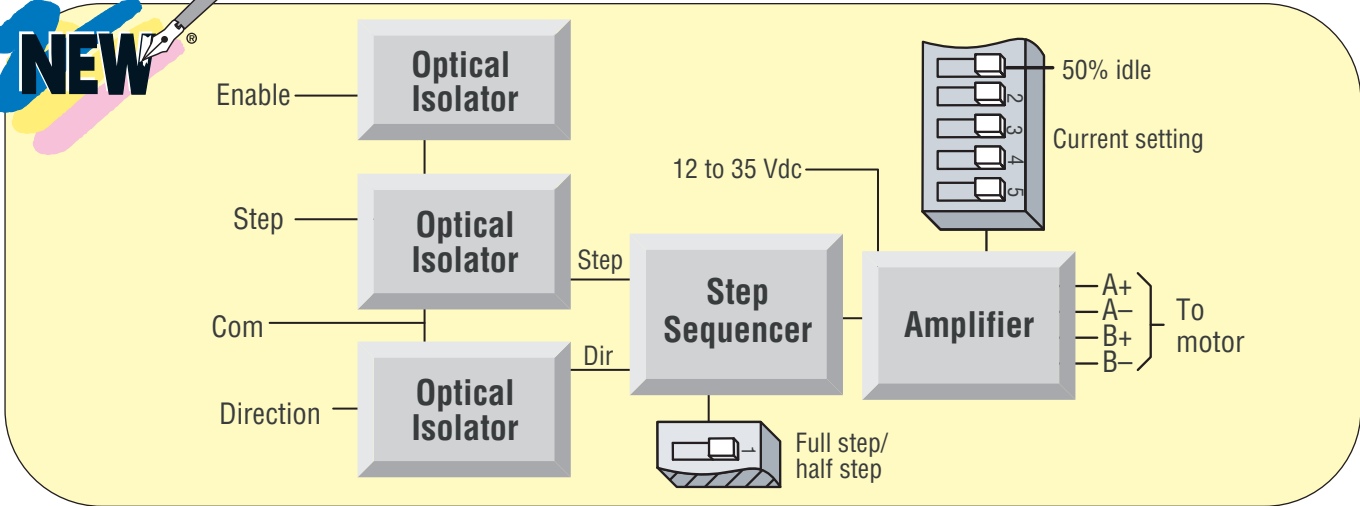
Connectors: European style screw terminal blocks

Power Supply: 2 position

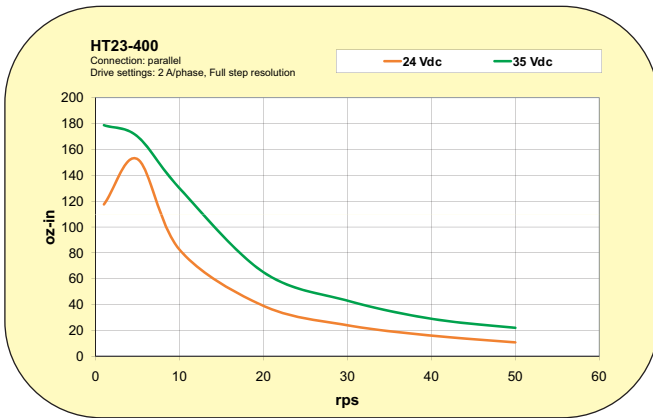
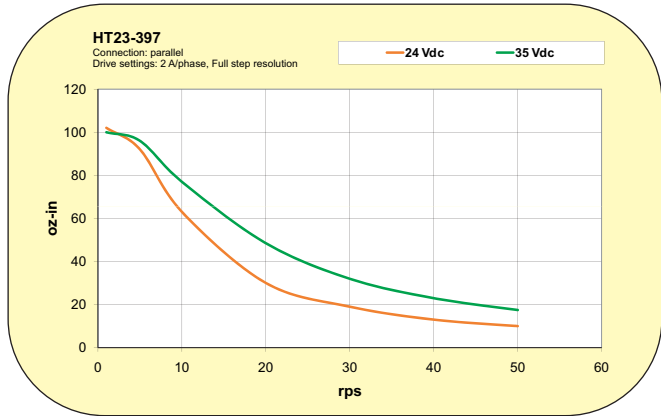
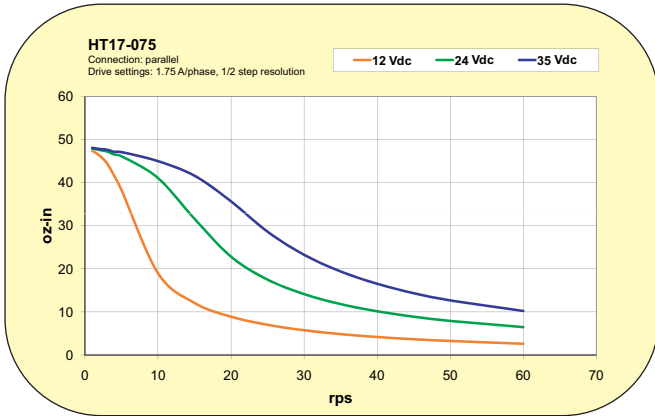
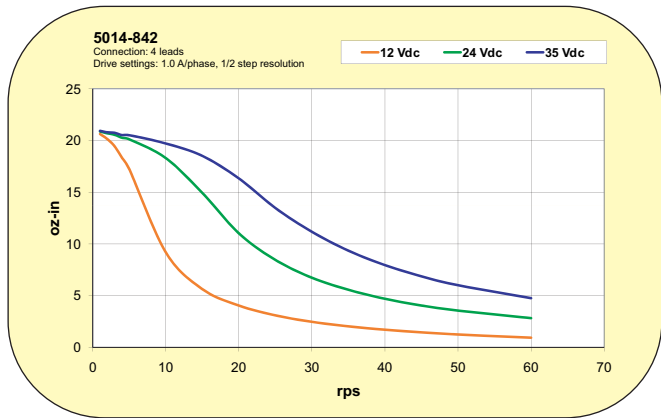
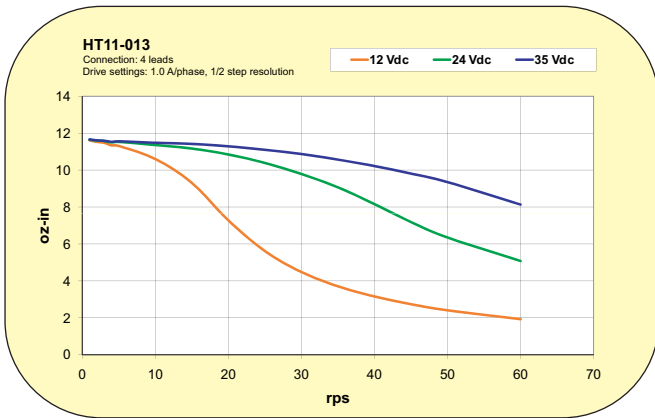
Motor: 4 position

Signal Input: 4 position

Max Wire Size: 16 AWG



TORQUE-SPEED CURVES FOR RECOMMENDED MOTORS



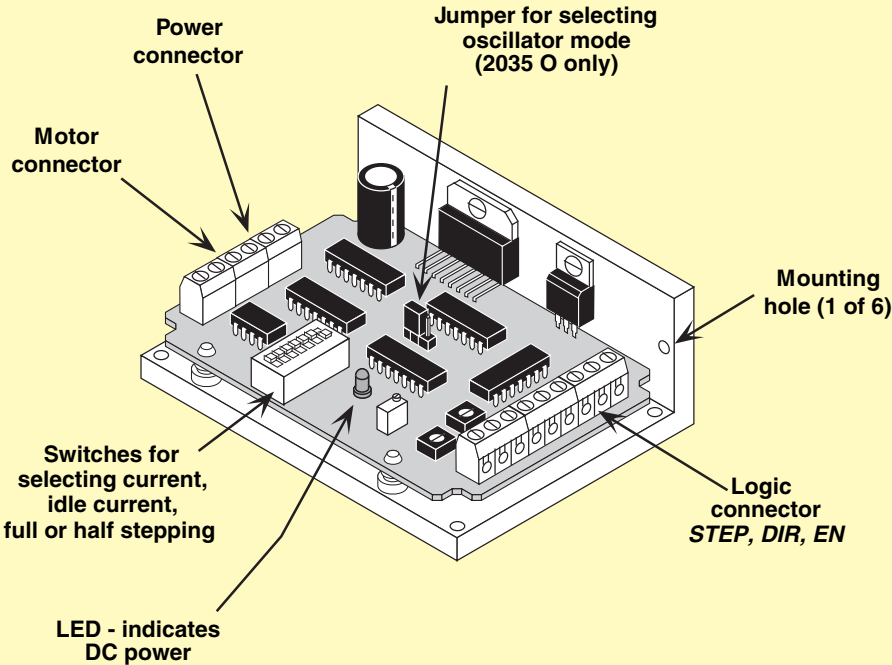


OPTIONAL ACCESSORIES
Power Supply (Required for Drive Operation):
Recommended:
OMPS150A24,
24 Vdc, 6.3 A



OMPS150A24, \$180, shown smaller than actual size.

Order OMPS150A24 separately, see page D-37 for details



To Order (Specify Model Number)

AVAILABLE FOR FAST DELIVERY!

Order motors separately, see below for details

MODEL NO.	PRICE	DESCRIPTION
2035	\$189	Stepper motor drive

Ordering Example: 2035, stepper motor drive, \$189.

RECOMMENDED MOTORS FOR 2035

MODEL NO.	PRICE	HOLDING TORQUE g-cm (oz-in)	RATED VOLTAGE (V)	RATED CURRENT (A)	RESISTANCE OHMS	INDUCTANCE MH	ROTOR INERTIA g-cm ² (oz-in ²)
NEMA 11 STEP MOTOR SPECIFICATIONS (RATINGS ARE WITH MOTOR CONNECTED IN PARALLEL)							
OMHT11-013	\$130	1080 (15)	2.0	1.0	2.0	2.6	18 (0.098)
NEMA 14 STEP MOTOR SPECIFICATIONS (RATINGS ARE WITH MOTOR CONNECTED IN PARALLEL)							
OM5014-842	\$86	1872 (26)	4.8	1.0	4.3	5.5	208 (0.109)
NEMA 17 STEP MOTOR SPECIFICATIONS (RATINGS ARE WITH MOTOR CONNECTED IN PARALLEL)							
OMHT17-075	\$90	4522 (62.8)	2.8	1.7	1.7	3.0	68 (0.37)
NEMA 23 STEP MOTOR SPECIFICATIONS (RATINGS ARE WITH MOTOR CONNECTED IN PARALLEL)							
OMHT23-397	\$125	12746 (177)	2.5	2.83	0.9	2.5	300 (1.64)
OMHT23-400	160	19011 (264)	3.2	2.83	1.1	3.6	480 (2.62)

Ordering Example: OMHT23-400, high torque step motor with 264 oz-in holding torque, \$160. See page D-7 through 10 for more stepper motor information.

ACCESSORY

MODEL NO.	PRICE	DESCRIPTION
OMPS150A24	\$180	Stepper drive power supply, 24 Vdc, 6.3 A

omega.co.uk[®]

Your One-Stop Source for Process Measurement and Control!

Freephone 0800 488 488 | International +44(0) 161 777 6622 | Fax +44(0) 161 777 6622 | Sales@omega.co.uk

www.omega.co.uk



UNITED STATES

www.omega.com

1-800-TC-OMEGA
Stamford, CT.

UNITED KINGDOM

www.omega.co.uk

Manchester, England
0800-488-488
+44-(0)161-777-6611

CANADA

www.omega.ca

Laval(Quebec)
1-800-TC-OMEGA

FRANCE

www.omega.fr

0800-466-342

GERMANY

www.omega.de

Deckenfronn, Germany
0800-8266342

BENELUX

www.omega.nl

0800-099-33-44



More than 100,000 Products Available!

• Temperature

Calibrators, Connectors, General Test and Measurement Instruments, Handheld Instruments for Temperature Measurement, Ice Point References, Indicating Labels, Crayons, Cements and Lacquers, Infrared Temperature Measurement Instruments, Recorders, Relative Humidity Measurement Instruments, PT100 Probes, PT100 Elements, Temperature & Process Meters, Timers and Counters, Temperature and Process Controllers and Power Switching Devices, Thermistor Elements, Probes and Assemblies, Thermocouples, Thermowells and Head and Well Assemblies, Transmitters, Thermocouple Wire, RTD Probes

• Flow and Level

Air Velocity Indicators, Doppler Flowmeters, Level Measurement, Magnetic Flowmeters, Mass Flowmeters, Pitot Tubes, Pumps, Rotameters, Turbine and Paddle Wheel Flowmeters, Ultrasonic Flowmeters, Valves, Variable Area Flowmeters, Vortex Shedding Flowmeters

• pH and Conductivity

Conductivity Instrumentation, Dissolved Oxygen Instrumentation, Environmental Instrumentation, pH Electrodes and Instruments, Water and Soil Analysis Instrumentation

• Data Acquisition

Communication Products and Converters, Data Acquisition and Analysis Software, Data Loggers Plug-in Cards, Signal Conditioners, USB, RS232, RS485, Ethernet and Parallel Port Data Acquisition Systems, Wireless Transmitters and Receivers

• Pressure, Strain and Force

Displacement Transducers, Dynamic Measurement Force Sensors, Instrumentation for Pressure and Strain Measurements, Load Cells, Pressure Gauges, Pressure Reference Section, Pressure Switches, Pressure Transducers, Proximity Transducers, Regulators, Pressure Transmitters, Strain Gauges, Torque Transducers, Valves

• Heaters

Band Heaters, Cartridge Heaters, Circulation Heaters, Comfort Heaters, Controllers, Meters and Switching Devices, Flexible Heaters, General Test and Measurement Instruments, Heater Hook-up Wire, Heating Cable Systems, Immersion Heaters, Process Air and Duct, Heaters, Radiant Heaters, Strip Heaters, Tubular Heaters