

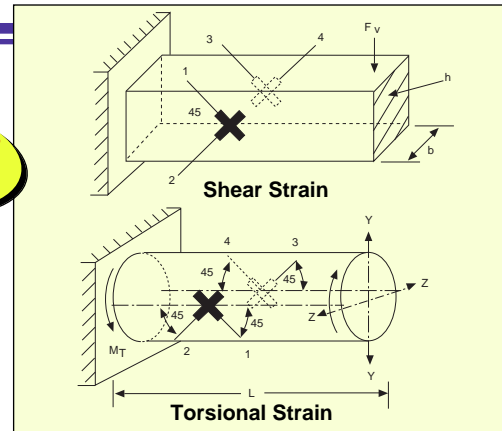


# KARMA STRAIN GAUGES

## SHEAR AND TORQUE PATTERN GAUGES

- ✓ **K-Series, Transducer Quality**
- ✓ **Available as Single ¼ Bridge, Single ¼ Matched Reversed Pattern, ½ Bridge with Separate Leads/Tabs, or ½ Bridge with Common Lead/Tab**
- ✓ **Custom Gages Available—Fast Delivery**

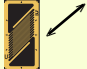
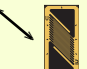



See Equations on Page E-12 and E-13



OMEGA® offers K-Series strain gauges for shear and torsional strain applications. These strain gauges can be used in transducer design for shear beam load cells. They can also be used for reaction torque on a shaft. Single strain gauges are available, SGK-SS3A-K350U-\*\*\*\* and matched, but with opposite grid angle is the SGK-SS3B-K350U-\*\*\*\*. The SGK-SD3A-K350U-\*\*\*\* and the SGK-SD3B-K350U-\*\*\*\* have 2 shear strain gauges, with opposite grid angles, on one carrier, with separate leads/tabs (electrically independent). The SGK-SDH3B-K350U-\*\*\*\* has 2 shear strain gauges, with opposite grid angles with a common lead/tab.

**AVAILABLE FOR FAST DELIVERY!**

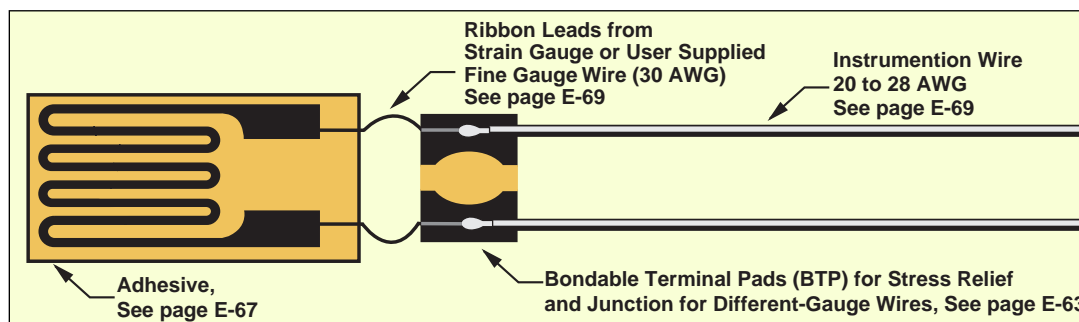
### To Order (Specify Model Number)

SHOWN ACTUAL SIZE	MODEL NO.	PRICE PER PKG OF 5	NOM. RESISTANCE (Ω)	DIMENSIONS mm (in) <sup>†</sup>				MAX V* (Vrms)	TERMINATION	TEMP COMP
				GRID		CARRIER				
				A	B	C	D			
	SGK-SS3A-K350U-PC11-E	\$48	350	3.2 (0.126)	3.38 (0.133)	9.2 (0.36)	4.7 (0.19)	11	Solder Pads	ST
	SGK-SS3A-K350U-PC23-E	48	350	Single shear gauge 350 Ω				15	Solder Pads	AL
	SGK-SS3B-K350U-PC11-E	52	350	3.2 (0.126)	3.38 (0.133)	9.2 (0.36)	4.7 (0.19)	11	Solder Pads	ST
	SGK-SS3B-K350U-PC23-E	52	350	Single shear gauge with opposite grid angle 350 Ω				15	Solder Pads	AL
	SGK-SD3A-K350U-PC11-E	48	350	3.2 (0.126)	3.38 (0.133)	9.8 (0.39)	8.5 (0.33)	11	Solder Pads	ST
	SGK-SD3A-K350U-PC23-E	48	350	Shear torque, 2 gauges on one carrier 350 Ω				15	Solder Pads	AL
	SGK-SD3B-K350U-PC11-E	52	350	3.2 (0.126)	3.38 (0.133)	10.2 (0.4)	9.4 (0.37)	11	Solder Pads	ST
	SGK-SD3B-K350U-PC23-E	52	350	Shear torque, 2 gauges on one carrier 350 Ω				15	Solder Pads	AL
	SGK-SDH3B-K350U-PC11-E	56	350	3.2 (0.126)	3.38 (0.133)	10.2 (0.4)	9.4 (0.37)	11	Solder Pads	ST
	SGK-SDH3B-K350U-PC23-E	56	350	Shear half bridge with common lead/pad 350 Ω				15	Solder Pads	AL

\* Maximum permitted bridge energizing voltage (Vrms). \*\*\*\* PC11 or PC23.  
**Note:** For strain gauge accessories see pages E-56 to E-59.

**Ordering Example:** SGK-SD3B-K350U-PC23-E, package of 5, Karma K-Series shear/torque pattern, with copper plated solder pads, half-bridge with 2 shear strain gauges, with opposite grid angles on one carrier, electrically independent, nominal resistance 350 Ω, \$52.

### TYPICAL STRAIN GAUGE INSTALLATION

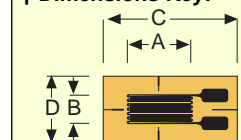


### DISCOUNT SCHEDULE

1 to 10 pkgs	.....	Net
11 to 24 pkgs	.....	.5%
25 to 49 pkgs	.....	.10%
50 and up and OEM	..	Consult Factory

**NOTE**  
 ST = Steel  
 AL = Aluminium

### † Dimensions Key:



**GRID**  
 A: Active gage length  
 B: Active gage width  
**CARRIER**  
 C: Matrix length  
 D: Matrix width

STRAIN GAGES

# omega.co.uk<sup>®</sup>

Your One-Stop Source for Process Measurement and Control!

Freephone 0800 488 488 | International +44(0) 161 777 6622 | Fax +44(0) 161 777 6622 | Sales@omega.co.uk

[www.omega.co.uk](http://www.omega.co.uk)



#### UNITED STATES

[www.omega.com](http://www.omega.com)

1-800-TC-OMEGA  
Stamford, CT.

#### CANADA

[www.omega.ca](http://www.omega.ca)

Laval(Quebec)  
1-800-TC-OMEGA

#### GERMANY

[www.omega.de](http://www.omega.de)

Deckenfronn, Germany  
0800-8266342

#### UNITED KINGDOM

[www.omega.co.uk](http://www.omega.co.uk)

Manchester, England  
0800-488-488  
+44-(0)161-777-6611

#### FRANCE

[www.omega.fr](http://www.omega.fr)

0800-466-342

#### BENELUX

[www.omega.nl](http://www.omega.nl)

0800-099-33-44



## More than 100,000 Products Available!

### • Temperature

Calibrators, Connectors, General Test and Measurement Instruments, Handheld Instruments for Temperature Measurement, Ice Point References, Indicating Labels, Crayons, Cements and Lacquers, Infrared Temperature Measurement Instruments, Recorders, Relative Humidity Measurement Instruments, PT100 Probes, PT100 Elements, Temperature & Process Meters, Timers and Counters, Temperature and Process Controllers and Power Switching Devices, Thermistor Elements, Probes and Assemblies, Thermocouples, Thermowells and Head and Well Assemblies, Transmitters, Thermocouple Wire, RTD Probes

### • Flow and Level

Air Velocity Indicators, Doppler Flowmeters, Level Measurement, Magnetic Flowmeters, Mass Flowmeters, Pitot Tubes, Pumps, Rotameters, Turbine and Paddle Wheel Flowmeters, Ultrasonic Flowmeters, Valves, Variable Area Flowmeters, Vortex Shedding Flowmeters

### • pH and Conductivity

Conductivity Instrumentation, Dissolved Oxygen Instrumentation, Environmental Instrumentation, pH Electrodes and Instruments, Water and Soil Analysis Instrumentation

### • Data Acquisition

Communication Products and Converters, Data Acquisition and Analysis Software, Data Loggers Plug-in Cards, Signal Conditioners, USB, RS232, RS485, Ethernet and Parallel Port Data Acquisition Systems, Wireless Transmitters and Receivers

### • Pressure, Strain and Force

Displacement Transducers, Dynamic Measurement Force Sensors, Instrumentation for Pressure and Strain Measurements, Load Cells, Pressure Gauges, Pressure Reference Section, Pressure Switches, Pressure Transducers, Proximity Transducers, Regulators, Pressure Transmitters, Strain Gauges, Torque Transducers, Valves

### • Heaters

Band Heaters, Cartridge Heaters, Circulation Heaters, Comfort Heaters, Controllers, Meters and Switching Devices, Flexible Heaters, General Test and Measurement Instruments, Heater Hook-up Wire, Heating Cable Systems, Immersion Heaters, Process Air and Duct, Heaters, Radiant Heaters, Strip Heaters, Tubular Heaters