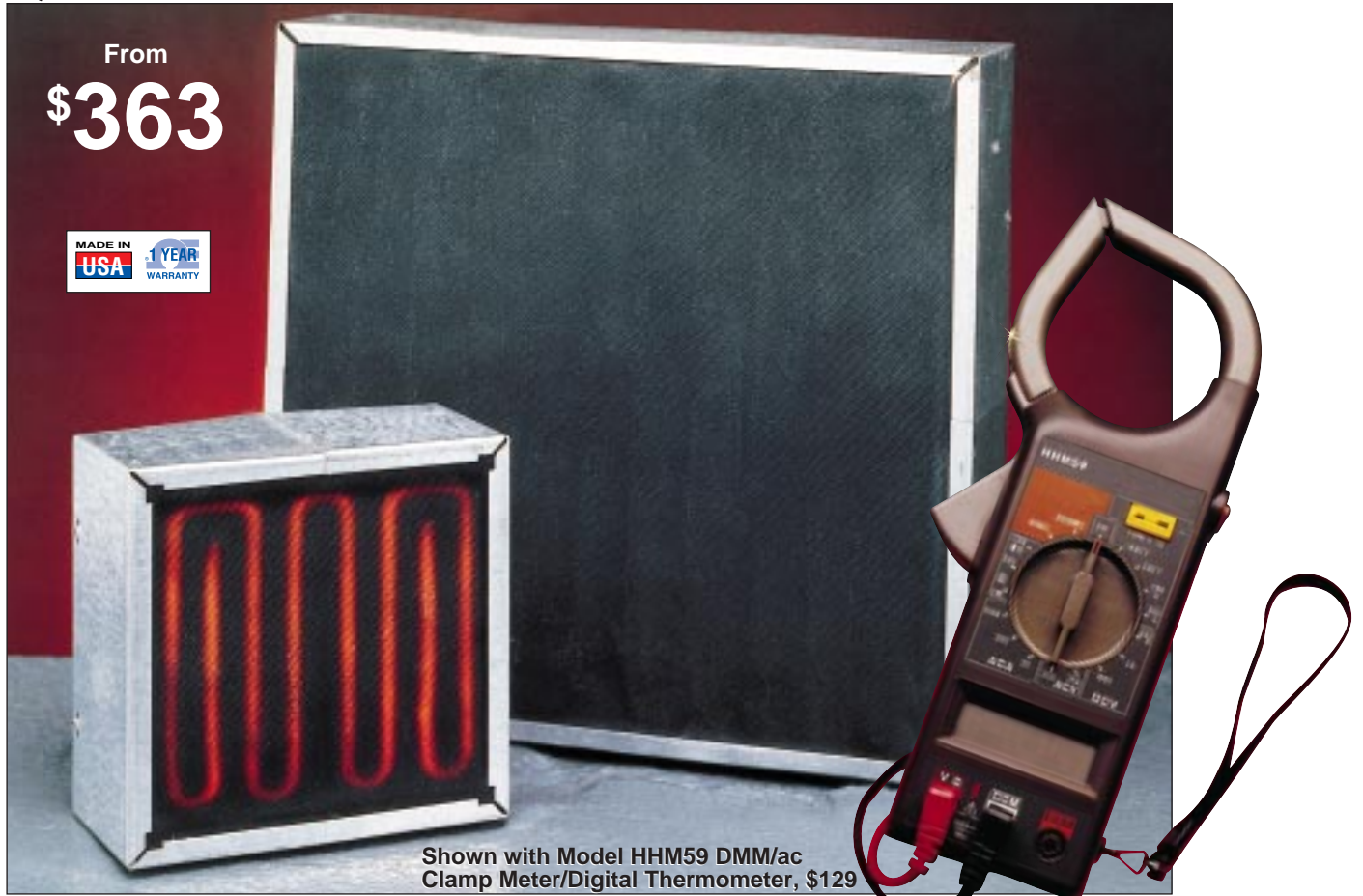


HIGH TEMPERATURE CERAN GLASS-FACED INFRARED PANEL HEATERS

QG Series



- ✔ Black Ceran Glass Emitter Face
- ✔ 870°C(1600°F) Maximum Emitter Face Temperature
- ✔ Output Wavelength Between 2.5 and 6 Microns
- ✔ Three Watt Densities Available: 10, 15, and 20W/in²
- ✔ Uniform IR Coverage

APPLICATIONS

- ✔ Paint Drying
- ✔ Plastic Coating Curing
- ✔ Laminating
- ✔ Textile Drying
- ✔ Silk Screen Printing
- ✔ Thermoforming

Model No.	Price	Description
HHM59	\$129	Digital Clamp Meter

Complete with wrist strap, 9V battery, carrying case, test leads, type-K beaded wire thermocouple, operator's manual.

OMEGALUX® QG Series heaters use a solid black Ceran™ glass as the emitter face. Maximum power output is 20 Watts/square inch with a maximum operating temperature of 870°C (1600°F) on the face. An optional thermowell from the back of the heater allows for a spring-loaded thermocouple to measure face temperature. This is the best way to use direct temperature control. The heater is available in sizes from 152 x 305 mm (6" x 12") up to 610 x 610 mm (24" x 24"). For medium power applications requiring a cleanable heater surface, the QG Series is ideal. For higher power applications, consider the OMEGALUX® QC or QH Series heaters, which have a quartz emitter face. Heaters are assembled using screws as opposed to rivets, allowing for easy replacement of the glass in the field.

SPECIFICATIONS

Power: 120, 240 and 480 Vac, 120/240 and 240/480 Vac dual voltage, 1 phase

Wattage: 720-8640 Watts

Watt Density: 10, 15, and 20 W/in².

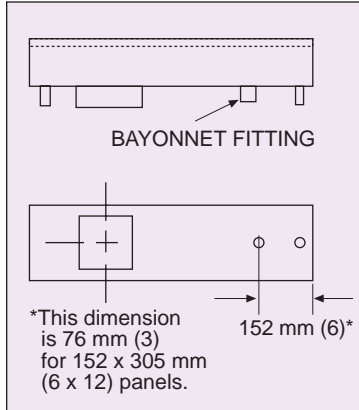
Maximum Temperature Emitter Face: 870°C (1600°F)

Housing: Aluminized steel

CAUTION AND WARNING!

Fire and electrical shock may result if products are used improperly or installed or used by non-qualified personnel.

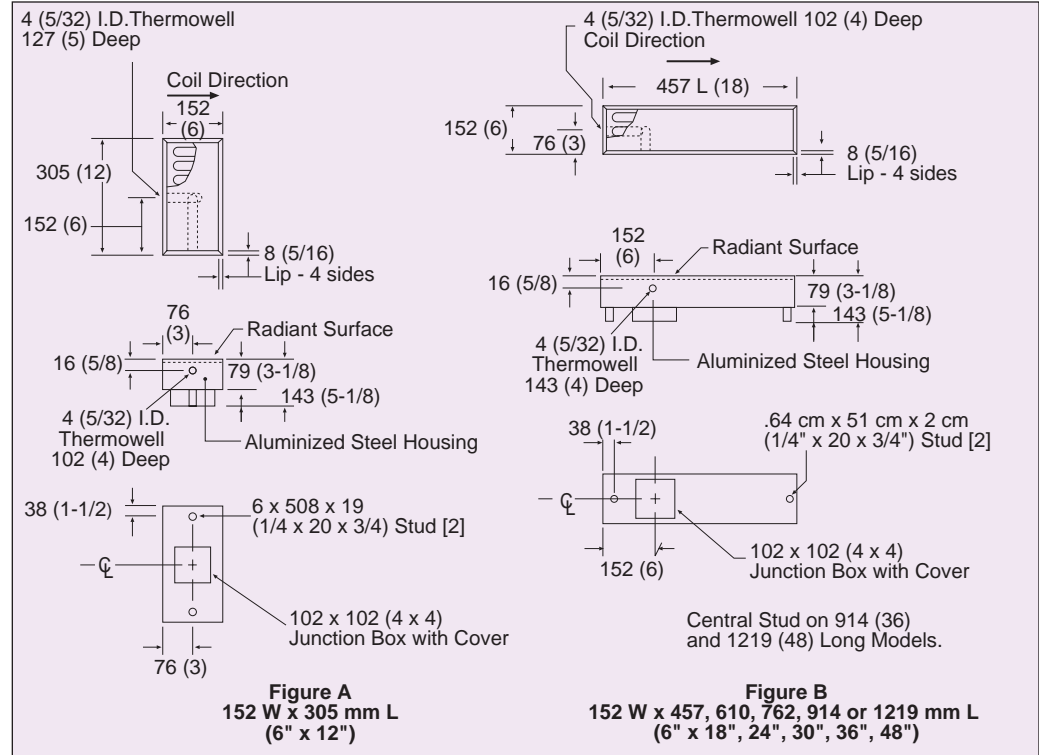
QG Series



Note: QG Series heaters are intended for "radiant" heat. Never let material to be heated come in direct contact with the face of the heater. It is recommended that overtemperature control be used to prevent overheating.

QG series radiant panel heaters utilize a bayonet fitting for use with a spring loaded thermocouple to measure face temperature, model number OSK1036/BT-090-(*)-4.25-60-1 (*insert thermocouple calibration).

Dimensions shown in mm (inches)



The QF, QC and QH series radiant panel heaters feature built-in 4 mm (5/32") ID thermowells which accept

3 mm (1/8") diameter probes, as shown in figures A through G.

To Order (Specify Model Number)

In Stock For Fast Delivery

Width cm (in.)	Length cm (in.)	Wattage	Voltage	Phase	Without Thermowell		With Thermowell		Dim. Reference	Weight kg (lb)
					Model Number	Price	Model Number	Price		
10 W/in²										
15 (6)	30 (12)	720	120	1	QG-061210/120	\$363	QG-061210/120-T	\$388	Fig. A	1.8 (4)
15 (6)	46 (18)	1080	120/240	1	QG-061810	425	QG-061810-T	450	Fig. B	2.7 (6)
15 (6)	61 (24)	1440	120/240	1	QG-062410	488	QG-062410-T	512	Fig. B	3.6 (8)
30 (12)	30 (12)	1440	120/240	1	QG-121210	488	QG-121210-T	513	Fig. E	3.6 (8)
30 (12)	46 (18)	2160	240/480	1	QG-121810	614	QG-121810-T	638	Fig. E	5.4 (12)
30 (12)	61 (24)	2880	240/480	1	QG-122410	725	QG-122410-T	750	Fig. E	6.8 (15)
61 (24)	61 (24)	5760	240/480	1	QG-242410	1275	QG-242410-T	1300	Fig. G	6.8 (15)
15 W/in²										
15 (6)	30 (12)	1080	120/240	1	QG-061215	363	QG-061215-T	388	Fig. A	1.8 (4)
15 (6)	46 (18)	1620	120/240	1	QG-061815	425	QG-061815-T	450	Fig. B	2.7 (6)
15 (6)	61 (24)	2160	240/480	1	QG-062415	488	QG-062415-T	512	Fig. B	3.6 (8)
30 (12)	30 (12)	2160	240/480	1	QG-121215	488	QG-121215-T	513	Fig. E	3.6 (8)
30 (12)	46 (18)	3240	240/480	1	QG-121815	614	QG-121815-T	638	Fig. E	5.4 (12)
30 (12)	61 (24)	4320	240/480	1	QG-122415	725	QG-122415-T	750	Fig. E	6.8 (15)
41 (16)	61 (24)	5760	240/480	1	QG-162415	900	QG-162415-T	925	Fig. F	9.1 (20)
61 (24)	61 (24)	8640	240	1	QG-242415/240	1275	QG-242415/240-T	1300	Fig. G	6.8 (15)
61 (24)	61 (24)	8640	480	1	QG-242415/480	1275	QG-242415/480-T	1300	Fig. G	12.7 (28)
20 W/in²										
15 (6)	30 (12)	1440	120/240	1	QG-061220	363	QG-061220-T	388	Fig. A	1.8 (4)
15 (6)	46 (18)	2160	240/480	1	QG-061820	425	QG-061820-T	450	Fig. B	2.7 (6)
15 (6)	61 (24)	2880	240/480	1	QG-062420	488	QG-062420-T	512	Fig. B	3.6 (8)
30 (12)	30 (12)	2880	240/480	1	QG-121220	488	QG-121220-T	513	Fig. E	3.6 (8)
30 (12)	46 (18)	4320	240/480	1	QG-121820	614	QG-121820-T	638	Fig. E	5.4 (12)
30 (12)	61 (24)	5760	240/480	1	QG-122420	725	QG-122420-T	750	Fig. E	6.8 (15)
41 (16)	61 (24)	7860	240/480	1	QG-162420	900	QG-162420-T	925	Fig. F	9.1 (20)

Each heater comes complete with mounting hardware and complete operator's manual. To order detachable, bayonet type temperature probe for monitoring heater temperature, order model OSK1036/BT-090-K-4/60-1, \$77 each. **Ordering Example:** Model QG-242415/240, 8640 Watt, 61 x 61 cm (24" x 24"), 240 Vac single phase heater, \$1275.



omega.co.uk[®]

Your One-Stop Source for Process Measurement and Control!

Freephone 0800 488 488 | International +44(0) 161 777 6622 | Fax +44(0) 161 777 6622 | Sales@omega.co.uk

www.omega.co.uk



UNITED STATES

www.omega.com

1-800-TC-OMEGA
Stamford, CT.

CANADA

www.omega.ca

Laval(Quebec)
1-800-TC-OMEGA

GERMANY

www.omega.de

Deckenfronn, Germany
0800-8266342

UNITED KINGDOM

www.omega.co.uk

Manchester, England
0800-488-488
+44-(0)161-777-6611

FRANCE

www.omega.fr

0800-466-342

BENELUX

www.omega.nl

0800-099-33-44



More than 100,000 Products Available!

• Temperature

Calibrators, Connectors, General Test and Measurement Instruments, Handheld Instruments for Temperature Measurement, Ice Point References, Indicating Labels, Crayons, Cements and Lacquers, Infrared Temperature Measurement Instruments, Recorders, Relative Humidity Measurement Instruments, PT100 Probes, PT100 Elements, Temperature & Process Meters, Timers and Counters, Temperature and Process Controllers and Power Switching Devices, Thermistor Elements, Probes and Assemblies, Thermocouples, Thermowells and Head and Well Assemblies, Transmitters, Thermocouple Wire, RTD Probes

• Flow and Level

Air Velocity Indicators, Doppler Flowmeters, Level Measurement, Magnetic Flowmeters, Mass Flowmeters, Pitot Tubes, Pumps, Rotameters, Turbine and Paddle Wheel Flowmeters, Ultrasonic Flowmeters, Valves, Variable Area Flowmeters, Vortex Shedding Flowmeters

• pH and Conductivity

Conductivity Instrumentation, Dissolved Oxygen Instrumentation, Environmental Instrumentation, pH Electrodes and Instruments, Water and Soil Analysis Instrumentation

• Data Acquisition

Communication Products and Converters, Data Acquisition and Analysis Software, Data Loggers Plug-in Cards, Signal Conditioners, USB, RS232, RS485, Ethernet and Parallel Port Data Acquisition Systems, Wireless Transmitters and Receivers

• Pressure, Strain and Force

Displacement Transducers, Dynamic Measurement Force Sensors, Instrumentation for Pressure and Strain Measurements, Load Cells, Pressure Gauges, Pressure Reference Section, Pressure Switches, Pressure Transducers, Proximity Transducers, Regulators, Pressure Transmitters, Strain Gauges, Torque Transducers, Valves

• Heaters

Band Heaters, Cartridge Heaters, Circulation Heaters, Comfort Heaters, Controllers, Meters and Switching Devices, Flexible Heaters, General Test and Measurement Instruments, Heater Hook-up Wire, Heating Cable Systems, Immersion Heaters, Process Air and Duct, Heaters, Radiant Heaters, Strip Heaters, Tubular Heaters