

LOW FLOW SENSORS

FP-5600 and
FP8500A Series
Starts at
\$249



- ✓ High Resolution
- ✓ Low Power
- ✓ Flow Rates As Low As 0.3 fps
- ✓ Open Collector Output
- ✓ Very Low Pressure Drop

The FP-5600 and FP8500A series low flow sensors are high resolution, low power devices ideal for measuring flow in piping systems with extremely low velocities. Utilizing insertion paddlewheel technology, these sensors are easy to install and maintain. They incorporate state-of-the-art, advanced Hall-effect design, allowing them to operate with a wide range of voltages and current supplies. The sensors have a wide flow range and reverse polarity protection. The insertion design easily adapts to a wide range of applications.

SPECIFICATIONS

Output Signal: Open collector, sinking

Output Frequency:

15 Hz per fps nominal

Operating Range: 0.3 to 20 fps

Pressure/Temperature:

PP sensor housing: 180 psi @ 20°C (68°F), 25 psi @ 85°C (185°F)

PVDF sensor housing: 200 psi @ 20°C (68°F), 25 psi @ 85°C (185°F)

Power Requirements: 3.3 to 24 Vdc
<1.5 mA @ 3.3V to 6 Vdc,
<20 mA @ 6V to 24 Vdc

Pipe Size Range: 0.5 to 24"

Repeatability: ±0.5% of full range

Linearity: ±1% of full range

Materials: Refer to ordering information for material options available

O-rings: FKM (EPR optional)

Cable Type: Twisted pair, foil shield with drain wire

Cable Length: 7.6 m (25')
[300 m (1000') max]

Recommended Reference Book:
Flow Measurement,
GE-1400, \$110.

See Section Y for Additional Books.

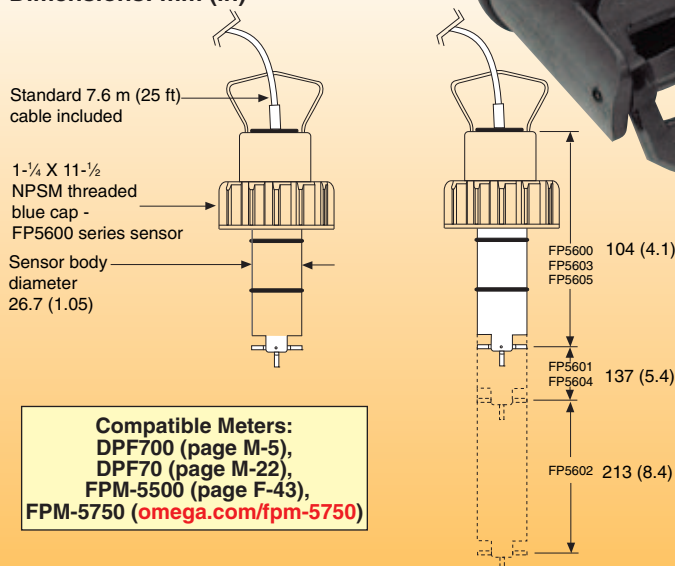


See page F-31 for compatible transmitter FP90.

See pages F-35 and F-36 for required fittings.

FP8501A sensor, \$249, shown smaller than actual size.

Dimensions: mm (in)



MOST POPULAR MODELS HIGHLIGHTED!

Standard Mount Sensors (Threaded Cap)

To Order (Specify Model Number)

Model No.	Price	Housing Material	Shaft Material	Rotor	Pipe Size (")
FP-5600	\$305	Polypropylene	Titanium	Black PVDF	0.5 to 4
FP-5601	336	Polypropylene	Titanium	Black PVDF	5 to 8
FP-5602	353	Polypropylene	Titanium	Black PVDF	10 or larger
FP-5603	543	Natural PVDF	Hastelloy C	Natural PVDF	0.5 to 4
FP-5604	594	Natural PVDF	Hastelloy C	Natural PVDF	5 to 8

Integral Sensor (Use with FP90 Transmitter and FP90IM Integral Mounting Kit)

Model No.	Price	Housing Material	Shaft Material	Rotor	Pipe Size (")
FP8501A	\$249	Polypropylene	Titanium	Black PVDF	0.5 to 4
FP8502A	268	Polypropylene	Titanium	Black PVDF	5 to 8
FP8503A	471	Natural PVDF	Hastelloy C	Natural PVDF	0.5 to 4

Comes complete with operator's manual

Ordering Examples: FP-5600, low velocity paddlewheel sensor with polypropylene housing, titanium shaft and black PVDF rotor for 2" pipe, \$305.

FP-5604, low velocity paddlewheel sensor with PVDF housing, Hastelloy C shaft and PVDF rotor, \$594.

omega.co.uk[®]

Your One-Stop Source for Process Measurement and Control!

Freephone 0800 488 488 | International +44(0) 161 777 6622 | Fax +44(0) 161 777 6622 | Sales@omega.co.uk

www.omega.co.uk



UNITED STATES

www.omega.com

1-800-TC-OMEGA
Stamford, CT.

CANADA

www.omega.ca

Laval(Quebec)
1-800-TC-OMEGA

GERMANY

www.omega.de

Deckenfronn, Germany
0800-8266342

UNITED KINGDOM

www.omega.co.uk

Manchester, England
0800-488-488
+44-(0)161-777-6611

FRANCE

www.omega.fr

0800-466-342

BENELUX

www.omega.nl

0800-099-33-44



More than 100,000 Products Available!

• Temperature

Calibrators, Connectors, General Test and Measurement Instruments, Handheld Instruments for Temperature Measurement, Ice Point References, Indicating Labels, Crayons, Cements and Lacquers, Infrared Temperature Measurement Instruments, Recorders, Relative Humidity Measurement Instruments, PT100 Probes, PT100 Elements, Temperature & Process Meters, Timers and Counters, Temperature and Process Controllers and Power Switching Devices, Thermistor Elements, Probes and Assemblies, Thermocouples, Thermowells and Head and Well Assemblies, Transmitters, Thermocouple Wire, RTD Probes

• Flow and Level

Air Velocity Indicators, Doppler Flowmeters, Level Measurement, Magnetic Flowmeters, Mass Flowmeters, Pitot Tubes, Pumps, Rotameters, Turbine and Paddle Wheel Flowmeters, Ultrasonic Flowmeters, Valves, Variable Area Flowmeters, Vortex Shedding Flowmeters

• pH and Conductivity

Conductivity Instrumentation, Dissolved Oxygen Instrumentation, Environmental Instrumentation, pH Electrodes and Instruments, Water and Soil Analysis Instrumentation

• Data Acquisition

Communication Products and Converters, Data Acquisition and Analysis Software, Data Loggers Plug-in Cards, Signal Conditioners, USB, RS232, RS485, Ethernet and Parallel Port Data Acquisition Systems, Wireless Transmitters and Receivers

• Pressure, Strain and Force

Displacement Transducers, Dynamic Measurement Force Sensors, Instrumentation for Pressure and Strain Measurements, Load Cells, Pressure Gauges, Pressure Reference Section, Pressure Switches, Pressure Transducers, Proximity Transducers, Regulators, Pressure Transmitters, Strain Gauges, Torque Transducers, Valves

• Heaters

Band Heaters, Cartridge Heaters, Circulation Heaters, Comfort Heaters, Controllers, Meters and Switching Devices, Flexible Heaters, General Test and Measurement Instruments, Heater Hook-up Wire, Heating Cable Systems, Immersion Heaters, Process Air and Duct, Heaters, Radiant Heaters, Strip Heaters, Tubular Heaters